


RADIALL DETAIL SPECIFICATION FOR SHF COAXIAL CONNECTORS

Rédigé par / Written by	Responsabilité / Responsibility	Date	Signature
G. SAVAGE	Space Project Manager	23/05/2022	
Vérifié par / Verified by			
S. POIZAT	Space Project Manager	30/03/2022	
Approuvée par / Approved by			
I. PENVERN	Space Quality Manager	23/05/2022	

DOCUMENTATION CHANGE NOTICE

REVISION OR ISSUE	DATE	CHANGE
1 -	05/03/03	Creation – Replacement of specification R23SHF-CONN Issue 6
1 A	11/05/04	Connectors low weight added, R125065T00X, R143068T00X, R143198T00X.
1B	13/12/04	Typing errors corrected
1 C	04/02/05	TNC connectors for SHF5MS added (R143065100 – R143195100) and corrected figures of SMA connectors for SHF8MS (R125068021 – R125199123) to show the position of venting hole
1 D	03/10/05	Updated to show the position of venting hole on SMA for SHF5MS. Added TNC connectors 18GHz for SHF8MS. Correction of figure 2.4.1. page 17. Updated references of connectors for SHF3MS: - R125063141X instead of R125063141 - R125193101X instead of R125193101
1 E	23/11/05	Correction of interface dimension for TNC HP DC-8GHz (dimensions “a” and “m”)
2 -	21/06/06	Added SMA2.9 connectors for SHF3MS and SHF5MS and modification of Low weight connectors.
2 A	17/06/08	Correction of interface dimension for TNC HP DC-8GHz (dimensions “h” and “j”). Modification of design for connector R125065T00X Cancelled connector TNCHP LW
2/B	22/07/11	Updated to show the position of venting hole on TNC connectors for SHF5MS (§2.3.1) Cancelled connectors for SHF13MS
2/C	29/05/12	Added SMP Lock connectors for SHF2.4MS
2/D	12/12/12	Added SMA2.9 connectors for SHF4.8MSULL32 Cancelled SMA connectors for SHF5MS LW2
2/E	14/02/14	Correction of SMA 2.9 interface dimensions, dimensions 7, 9, 11 for pin contact, dimensions 10 & 11 for socket contact. Replace SMA Right angle connector for SHF2.4MS (R125153122X by R125192101X)
2/F	06/01/2017	Added SMA connector for SHF4.8Ms (R125065329X)
2/G	11/04/2018	Added SMPL connector for SHF3MS
3/-	16/10/2018	Added SMA jack connectors for SHF2.4MS, SHF4.8MS and SHF5MS Added SMPL for SHF4.8MS
3/A	09/04/2019	Change 2D view of connectors by a new one in color Updated to correct the plating for SMPL of SHF3MS & 4.8MS: Ni2 Au1.3µm instead of Ni1.3 Au1.3µm
3/B	19/08/2020	Updated t ocorrect typing error for paragraph 2.2.2 dimensionØd: 4.592mm instead of 0.4592mm



DETAIL SPECIFICATION

REF. : RAD-DET-CONN-008

Date:
March 30th, 2022

ED/REV:
4/-

PAGE :
3/34

REVISION OR ISSUE	DATE	CHANGE
4/-	30/03/2022	Updated to add: - SMA, and SMPL connectors for LPV.086” cable - SMPML, SMA2.9, SMPL connectors for .047” cable - SMP connectors for SHF2.4MS



TABLE OF CONTENTS

1. SCOPE 5

2. PIECE PART TECHNICAL DESIGN 6

2.1. SMA & SMA2.9 CONNECTOR INTERFACE CONTROL DRAWING..... 6

 2.1.1. SMA connector for SHF2.4MS cable 6

 2.1.2. SMA & SMA2.9 connector for SHF3MS cable..... 8

 2.1.3. SMA & SMA2.9 connector for SHF4.8MS cable..... 10

 2.1.4. SMA & SMA2.9 connector for SHF5MS cable..... 11

 2.1.5. SMA connectors for SHF8MS cable with venting hole 13

 2.1.5. SMA connector for LPV.086" cable..... 14

 2.1.6. SMA2.9 connector for SHF.047" cable 14

2.2. INTERCHANGEABILITY FOR SMA SERIE..... 15

 2.2.1. SMA jack..... 15

 2.2.2. SMA plug..... 16

 2.2.3. SMA2.9 jack 17

 2.2.4. SMA2.9 plug..... 18

2.3. TNC CONNECTOR INTERFACE CONTROL DRAWING 19

 2.3.1. TNC connectors for SHF5MS cable with venting hole..... 19

 2.3.2. TNC connectors for SHF8MS cable with venting hole..... 20

 2.3.3. TNC connectors SHF8MS cable - High power type with venting hole 21

 2.3.4. TNC connectors SHF8MS cable - Very High Power type with venting hole 22

2.4. INTERCHANGEABILITY FOR TNC SERIE 22

 2.4.1. TNC plug DC/ 18 GHz 22

 2.4.2. TNC 18 Jack DC / 18 GHz..... 23

 2.4.3. TNC Plug high power DC / 8 GHz 24

2.5. SMP - SMP LOCK CONNECTOR INTERFACE CONTROL DRAWING 25

 2.5.1. SMP & SMP Lock connector for SHF2.4MS cable 25

 2.5.2. SMP Lock connector for SHF3MS cable 27

 2.5.3. SMP Lock connector for SHF4.8MS cable 28

 2.5.4. SMP Lock connector for LPV.086" cable 29

 2.5.5. SMP Lock connector for SHF.047" cable 30

2.6. INTERCHANGEABILITY FOR SMP - SMP LOCK SERIE 31

 2.6.1. SMP - SMP Lock Female DC-40GHz: MIL-STD 348a, NOTICE 6, FIGURE 326-1..... 31


 2.6.2. SMP - SMP Lock male DC-40GHz: MIL-STD 348a, NOTICE 6, FIGURE 326-1..... 32

2.7. SMPM LOCK CONNECTOR INTERFACE CONTROL DRAWING..... 33

 2.7.1. SMPM Lock connector for SHF.047" cable 33

2.8. INTERCHANGEABILITY FOR SMP - SMP LOCK SERIE 34

 2.8.1. SMPM Lock Female DC-40GHz: MIL-STD 348a, NOTICE 6, FIGURE 328-1..... 34

	DETAIL SPECIFICATION		
	REF. : RAD-DET-CONN-008		
	Date: March 30th, 2022	ED/REV: 4/-	PAGE : 5/34

1. SCOPE

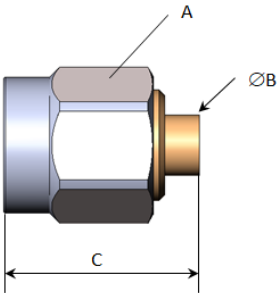
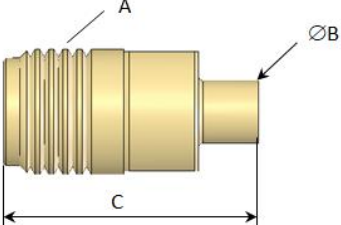
This specification must be considered as a detail specification for RADIALL specification:

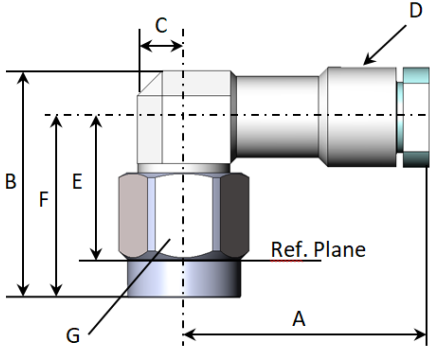
- RAD-GEN-CONN-001 for SMA, SMA2.9 and TNC connectors
- RAD-GEN-CONN-003 for SMP, SMPL and SMPML connectors

This technical specification describes all the dimensions of coaxial connectors used for the manufacturing of coaxial cable assemblies for SPACE market.

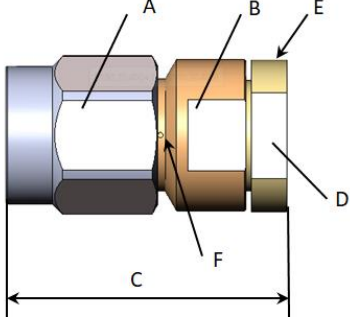
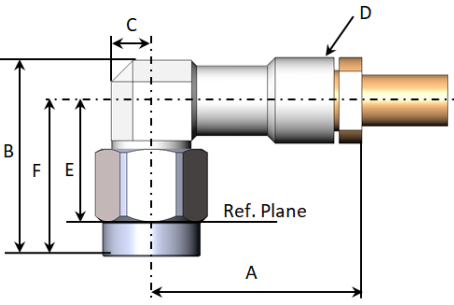
These connectors are specific and cannot be sold separately, they are considered as part of coaxial cable assemblies

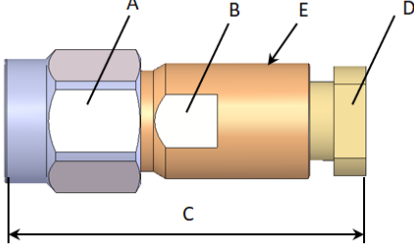
2. PIECE PART TECHNICAL DESIGN
2.1. SMA & SMA2.9 Connector Interface Control Drawing
2.1.1. SMA connector for SHF2.4MS cable

CONNECTOR REFERENCE	DESCRIPTION																														
R125.052.122X	<p><u>Straight and Elbow Plug SMA</u></p>  <table border="1" style="margin-left: 20px;"> <thead> <tr> <th>Dimension</th> <th>mm</th> <th>inches</th> </tr> </thead> <tbody> <tr> <td>A</td> <td>Hex 8 / flats</td> <td>Hes .315/Flats</td> </tr> <tr> <td>ØB</td> <td>3.45</td> <td>0.135</td> </tr> <tr> <td>C</td> <td>11.15</td> <td>0.439</td> </tr> </tbody> </table> <table border="1" style="margin-left: 20px;"> <thead> <tr> <th>Component</th> <th>materials</th> <th>Plating (µm)</th> </tr> </thead> <tbody> <tr> <td>Coupling Nut</td> <td>Stainless steel</td> <td>Passivated</td> </tr> <tr> <td>Center contact</td> <td>Brass</td> <td>Ni 2 / Au 1.3</td> </tr> <tr> <td>Insulator</td> <td>PTFE</td> <td></td> </tr> <tr> <td>Body</td> <td>Stainless Steel</td> <td>Ni 2 / Au 0.5i</td> </tr> <tr> <td>Gasket</td> <td>Silicone Rubber</td> <td></td> </tr> </tbody> </table>	Dimension	mm	inches	A	Hex 8 / flats	Hes .315/Flats	ØB	3.45	0.135	C	11.15	0.439	Component	materials	Plating (µm)	Coupling Nut	Stainless steel	Passivated	Center contact	Brass	Ni 2 / Au 1.3	Insulator	PTFE		Body	Stainless Steel	Ni 2 / Au 0.5i	Gasket	Silicone Rubber	
Dimension	mm	inches																													
A	Hex 8 / flats	Hes .315/Flats																													
ØB	3.45	0.135																													
C	11.15	0.439																													
Component	materials	Plating (µm)																													
Coupling Nut	Stainless steel	Passivated																													
Center contact	Brass	Ni 2 / Au 1.3																													
Insulator	PTFE																														
Body	Stainless Steel	Ni 2 / Au 0.5i																													
Gasket	Silicone Rubber																														
CONNECTOR REFERENCE	DESCRIPTION																														
R125.232.109X	<p><u>Straight Jack SMA</u></p>  <table border="1" style="margin-left: 20px;"> <thead> <tr> <th>Dimension</th> <th>mm</th> <th>inches</th> </tr> </thead> <tbody> <tr> <td>A</td> <td>Thread 1/4 36 UNS-2A</td> <td></td> </tr> <tr> <td>ØB</td> <td>3.1</td> <td>0.12</td> </tr> <tr> <td>C</td> <td>12.7</td> <td>0.5</td> </tr> </tbody> </table> <table border="1" style="margin-left: 20px;"> <thead> <tr> <th>Component</th> <th>materials</th> <th>Plating (µm)</th> </tr> </thead> <tbody> <tr> <td>Body</td> <td>Beylium copper</td> <td>Ag 2 Ni2 / Au1.3</td> </tr> <tr> <td>Center Contact</td> <td>Beylium copper</td> <td>Ag2 Ni2 / Au1.3</td> </tr> <tr> <td>Insulator</td> <td>PTFE</td> <td>-</td> </tr> </tbody> </table>	Dimension	mm	inches	A	Thread 1/4 36 UNS-2A		ØB	3.1	0.12	C	12.7	0.5	Component	materials	Plating (µm)	Body	Beylium copper	Ag 2 Ni2 / Au1.3	Center Contact	Beylium copper	Ag2 Ni2 / Au1.3	Insulator	PTFE	-						
Dimension	mm	inches																													
A	Thread 1/4 36 UNS-2A																														
ØB	3.1	0.12																													
C	12.7	0.5																													
Component	materials	Plating (µm)																													
Body	Beylium copper	Ag 2 Ni2 / Au1.3																													
Center Contact	Beylium copper	Ag2 Ni2 / Au1.3																													
Insulator	PTFE	-																													

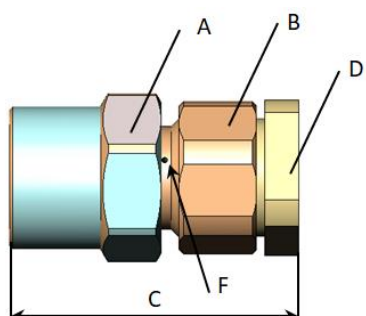
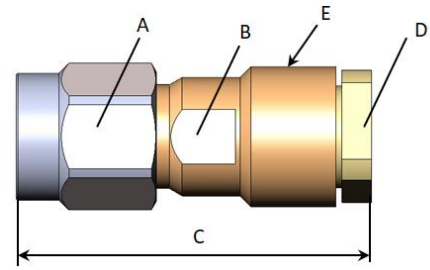
CONNECTOR REFERENCE	DESCRIPTION																																										
R125.192.101X	<p>Right angle plug SMA</p>  <table border="1" data-bbox="925 515 1428 772"> <thead> <tr> <th>Dimension</th> <th>mm</th> <th>inches</th> </tr> </thead> <tbody> <tr> <td>A</td> <td>16.7</td> <td>0.657</td> </tr> <tr> <td>B</td> <td>15.5</td> <td>0.598</td> </tr> <tr> <td>C</td> <td>3.15</td> <td>0.125</td> </tr> <tr> <td>ØD</td> <td>7</td> <td>0.29</td> </tr> <tr> <td>E</td> <td>9.32</td> <td>0.366</td> </tr> <tr> <td>F</td> <td>12.02</td> <td>0.473</td> </tr> <tr> <td>G</td> <td>Hex 8 / flats</td> <td>Hes .315/Flats</td> </tr> </tbody> </table> <table border="1" data-bbox="558 862 1308 1064"> <thead> <tr> <th>Component</th> <th>materials</th> <th>Plating (µm)</th> </tr> </thead> <tbody> <tr> <td>Coupling Nut</td> <td>Stainless steel</td> <td>Passivated</td> </tr> <tr> <td>Center contact</td> <td>CuBe</td> <td>Ni 2 /Au 1.3</td> </tr> <tr> <td>Insulator</td> <td>PTFE</td> <td></td> </tr> <tr> <td>Body</td> <td>Stainless Steel</td> <td>Passivated</td> </tr> <tr> <td>Gasket</td> <td>Silicone Rubber</td> <td></td> </tr> </tbody> </table>	Dimension	mm	inches	A	16.7	0.657	B	15.5	0.598	C	3.15	0.125	ØD	7	0.29	E	9.32	0.366	F	12.02	0.473	G	Hex 8 / flats	Hes .315/Flats	Component	materials	Plating (µm)	Coupling Nut	Stainless steel	Passivated	Center contact	CuBe	Ni 2 /Au 1.3	Insulator	PTFE		Body	Stainless Steel	Passivated	Gasket	Silicone Rubber	
Dimension	mm	inches																																									
A	16.7	0.657																																									
B	15.5	0.598																																									
C	3.15	0.125																																									
ØD	7	0.29																																									
E	9.32	0.366																																									
F	12.02	0.473																																									
G	Hex 8 / flats	Hes .315/Flats																																									
Component	materials	Plating (µm)																																									
Coupling Nut	Stainless steel	Passivated																																									
Center contact	CuBe	Ni 2 /Au 1.3																																									
Insulator	PTFE																																										
Body	Stainless Steel	Passivated																																									
Gasket	Silicone Rubber																																										

2.1.2. SMA & SMA2.9 connector for SHF3MS cable

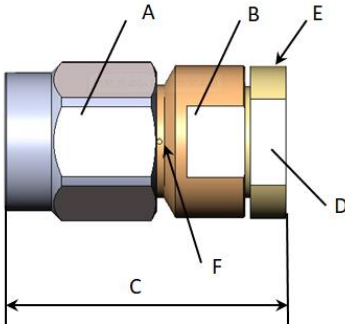
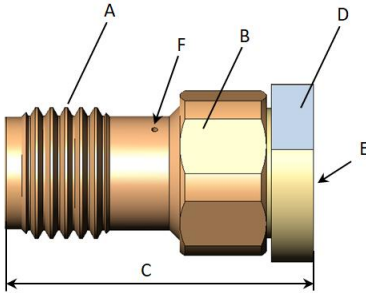
CONNECTOR REFERENCE	DESCRIPTION																																										
R125.063.141X	<p>Straight plug and Elbow plug SMA: with venting hole</p>  <table border="1" data-bbox="885 560 1428 795"> <thead> <tr> <th>Dimension</th> <th>mm</th> <th>inches</th> </tr> </thead> <tbody> <tr> <td>A</td> <td>Hex 8 / flat</td> <td>Hex 0.315 / flat</td> </tr> <tr> <td>B / 2 flats</td> <td>7,50</td> <td>0,290</td> </tr> <tr> <td>C</td> <td>15,64</td> <td>0,615</td> </tr> <tr> <td>D / 2 flats</td> <td>7,00</td> <td>0,270</td> </tr> <tr> <td>ØE</td> <td>8,50</td> <td>0,334</td> </tr> <tr> <td>ØF (1 hole)</td> <td>0,30</td> <td>0,012</td> </tr> </tbody> </table> <p>F: venting hole</p> <table border="1" data-bbox="555 896 1308 1093"> <thead> <tr> <th>Component</th> <th>materials</th> <th>Plating (µm)</th> </tr> </thead> <tbody> <tr> <td>Coupling Nut</td> <td>Stainless steel</td> <td>Passivated</td> </tr> <tr> <td>Center contact</td> <td>Brass</td> <td>Ni 2 /Au 1.3</td> </tr> <tr> <td>Insulator</td> <td>PTFE / ULTEM</td> <td></td> </tr> <tr> <td>Body</td> <td>Stainless Steel</td> <td>Passivated</td> </tr> <tr> <td>Gasket</td> <td>Silicone Rubber</td> <td></td> </tr> </tbody> </table>	Dimension	mm	inches	A	Hex 8 / flat	Hex 0.315 / flat	B / 2 flats	7,50	0,290	C	15,64	0,615	D / 2 flats	7,00	0,270	ØE	8,50	0,334	ØF (1 hole)	0,30	0,012	Component	materials	Plating (µm)	Coupling Nut	Stainless steel	Passivated	Center contact	Brass	Ni 2 /Au 1.3	Insulator	PTFE / ULTEM		Body	Stainless Steel	Passivated	Gasket	Silicone Rubber				
Dimension	mm	inches																																									
A	Hex 8 / flat	Hex 0.315 / flat																																									
B / 2 flats	7,50	0,290																																									
C	15,64	0,615																																									
D / 2 flats	7,00	0,270																																									
ØE	8,50	0,334																																									
ØF (1 hole)	0,30	0,012																																									
Component	materials	Plating (µm)																																									
Coupling Nut	Stainless steel	Passivated																																									
Center contact	Brass	Ni 2 /Au 1.3																																									
Insulator	PTFE / ULTEM																																										
Body	Stainless Steel	Passivated																																									
Gasket	Silicone Rubber																																										
R125.193.101	<p>Right angle plug SMA</p>  <table border="1" data-bbox="906 1310 1412 1568"> <thead> <tr> <th>Dimension</th> <th>mm</th> <th>inches</th> </tr> </thead> <tbody> <tr> <td>A</td> <td>16.7</td> <td>0.657</td> </tr> <tr> <td>B</td> <td>15.19</td> <td>0.598</td> </tr> <tr> <td>C</td> <td>3.15</td> <td>0.125</td> </tr> <tr> <td>ØD</td> <td>7</td> <td>0.29</td> </tr> <tr> <td>E</td> <td>9.32</td> <td>0.366</td> </tr> <tr> <td>F</td> <td>12.02</td> <td>0.473</td> </tr> <tr> <td>G</td> <td>Hex 8 / flats</td> <td>Hes .315/Flats</td> </tr> </tbody> </table> <table border="1" data-bbox="550 1612 1300 1809"> <thead> <tr> <th>Component</th> <th>materials</th> <th>Plating (µm)</th> </tr> </thead> <tbody> <tr> <td>Coupling Nut</td> <td>Stainless steel</td> <td>Passivated</td> </tr> <tr> <td>Center contact</td> <td>Brass</td> <td>Ni 2 /Au 1.3</td> </tr> <tr> <td>Insulator</td> <td>PTFE / ULTEM</td> <td></td> </tr> <tr> <td>Body</td> <td>Stainless Steel</td> <td>Passivated</td> </tr> <tr> <td>Gasket</td> <td>Silicone Rubber</td> <td></td> </tr> </tbody> </table>	Dimension	mm	inches	A	16.7	0.657	B	15.19	0.598	C	3.15	0.125	ØD	7	0.29	E	9.32	0.366	F	12.02	0.473	G	Hex 8 / flats	Hes .315/Flats	Component	materials	Plating (µm)	Coupling Nut	Stainless steel	Passivated	Center contact	Brass	Ni 2 /Au 1.3	Insulator	PTFE / ULTEM		Body	Stainless Steel	Passivated	Gasket	Silicone Rubber	
Dimension	mm	inches																																									
A	16.7	0.657																																									
B	15.19	0.598																																									
C	3.15	0.125																																									
ØD	7	0.29																																									
E	9.32	0.366																																									
F	12.02	0.473																																									
G	Hex 8 / flats	Hes .315/Flats																																									
Component	materials	Plating (µm)																																									
Coupling Nut	Stainless steel	Passivated																																									
Center contact	Brass	Ni 2 /Au 1.3																																									
Insulator	PTFE / ULTEM																																										
Body	Stainless Steel	Passivated																																									
Gasket	Silicone Rubber																																										

CONNECTOR REFERENCE	DESCRIPTION																																							
R127.801.101X	<p><u>Straight plug and Elbow plug SMA2.9 :</u></p>  <table border="1" data-bbox="922 515 1465 712"> <thead> <tr> <th>Dimension</th> <th>mm</th> <th>inches</th> </tr> </thead> <tbody> <tr> <td>A</td> <td>Hex 8 / flat</td> <td>Hex 0.315 / flat</td> </tr> <tr> <td>B / 2 flats</td> <td>6.40</td> <td>0.252</td> </tr> <tr> <td>C</td> <td>21.54</td> <td>0.848</td> </tr> <tr> <td>D / 2 flats</td> <td>5.00</td> <td>0.196</td> </tr> <tr> <td>ØE</td> <td>7.20</td> <td>0.283</td> </tr> </tbody> </table> <table border="1" data-bbox="466 801 1465 1057"> <thead> <tr> <th>Component</th> <th>Materials</th> <th>Plating (µm)</th> </tr> </thead> <tbody> <tr> <td>Coupling Nut</td> <td>Stainless steel</td> <td>Passivated</td> </tr> <tr> <td>Center contact</td> <td>Beryllium copper Brass</td> <td>Ni2 / Au 1,3</td> </tr> <tr> <td>Outer contact</td> <td>Brass</td> <td>Ni2 / Au 1,3</td> </tr> <tr> <td>Insulator</td> <td>ULTEM</td> <td></td> </tr> <tr> <td>Body</td> <td>Stainless steel</td> <td>Passivated</td> </tr> <tr> <td>Gasket</td> <td>Silicone rubber</td> <td></td> </tr> </tbody> </table>	Dimension	mm	inches	A	Hex 8 / flat	Hex 0.315 / flat	B / 2 flats	6.40	0.252	C	21.54	0.848	D / 2 flats	5.00	0.196	ØE	7.20	0.283	Component	Materials	Plating (µm)	Coupling Nut	Stainless steel	Passivated	Center contact	Beryllium copper Brass	Ni2 / Au 1,3	Outer contact	Brass	Ni2 / Au 1,3	Insulator	ULTEM		Body	Stainless steel	Passivated	Gasket	Silicone rubber	
Dimension	mm	inches																																						
A	Hex 8 / flat	Hex 0.315 / flat																																						
B / 2 flats	6.40	0.252																																						
C	21.54	0.848																																						
D / 2 flats	5.00	0.196																																						
ØE	7.20	0.283																																						
Component	Materials	Plating (µm)																																						
Coupling Nut	Stainless steel	Passivated																																						
Center contact	Beryllium copper Brass	Ni2 / Au 1,3																																						
Outer contact	Brass	Ni2 / Au 1,3																																						
Insulator	ULTEM																																							
Body	Stainless steel	Passivated																																						
Gasket	Silicone rubber																																							

2.1.3. SMA & SMA2.9 connector for SHF4.8MS cable

CONNECTOR REFERENCE	DESCRIPTION																																										
R125.065.329X	<p><u>Straight plug and Elbow plug SMA:</u> with venting hole</p>  <table border="1" style="margin-left: 200px;"> <thead> <tr> <th>Dimension</th> <th>mm</th> <th>inches</th> </tr> </thead> <tbody> <tr> <td>A</td> <td>Hex 8 / flat</td> <td>Hex 0.315 / flat</td> </tr> <tr> <td>B / 2 flats</td> <td>Hex 7.5/Flat</td> <td>Hex 0.29/flat</td> </tr> <tr> <td>C</td> <td>15.52</td> <td>0.610</td> </tr> <tr> <td>D / 2 flats</td> <td>7.00</td> <td>0.270</td> </tr> <tr> <td>ØE</td> <td>8.50</td> <td>0.334</td> </tr> <tr> <td>ØF (1 hole)</td> <td>0.30</td> <td>0.012</td> </tr> </tbody> </table> <p style="margin-left: 200px;">F: venting hole</p> <table border="1" style="margin-left: 200px;"> <thead> <tr> <th>Component</th> <th>Materials</th> <th>Plating (µm)</th> </tr> </thead> <tbody> <tr> <td>Coupling Nut</td> <td>Aluminium</td> <td>Anodic oxydation</td> </tr> <tr> <td>Center contact</td> <td>Brass</td> <td>Cu 2.5/ Au 2.5</td> </tr> <tr> <td>Solder sleeve</td> <td>Beryllium copper</td> <td>Ag 5</td> </tr> <tr> <td>Insulator</td> <td>PTFE / ULTEM</td> <td></td> </tr> <tr> <td>Body</td> <td>Beryllium copper</td> <td>Cu 2.5/ Au 2.5</td> </tr> <tr> <td>Gasket</td> <td>Silicone rubber</td> <td></td> </tr> </tbody> </table>	Dimension	mm	inches	A	Hex 8 / flat	Hex 0.315 / flat	B / 2 flats	Hex 7.5/Flat	Hex 0.29/flat	C	15.52	0.610	D / 2 flats	7.00	0.270	ØE	8.50	0.334	ØF (1 hole)	0.30	0.012	Component	Materials	Plating (µm)	Coupling Nut	Aluminium	Anodic oxydation	Center contact	Brass	Cu 2.5/ Au 2.5	Solder sleeve	Beryllium copper	Ag 5	Insulator	PTFE / ULTEM		Body	Beryllium copper	Cu 2.5/ Au 2.5	Gasket	Silicone rubber	
Dimension	mm	inches																																									
A	Hex 8 / flat	Hex 0.315 / flat																																									
B / 2 flats	Hex 7.5/Flat	Hex 0.29/flat																																									
C	15.52	0.610																																									
D / 2 flats	7.00	0.270																																									
ØE	8.50	0.334																																									
ØF (1 hole)	0.30	0.012																																									
Component	Materials	Plating (µm)																																									
Coupling Nut	Aluminium	Anodic oxydation																																									
Center contact	Brass	Cu 2.5/ Au 2.5																																									
Solder sleeve	Beryllium copper	Ag 5																																									
Insulator	PTFE / ULTEM																																										
Body	Beryllium copper	Cu 2.5/ Au 2.5																																									
Gasket	Silicone rubber																																										
CONNECTOR REFERENCE	DESCRIPTION																																										
R127.801.401X	<p><u>Straight plug and Elbow plug SMA2.9 :</u></p>  <table border="1" style="margin-left: 200px;"> <thead> <tr> <th>Dimension</th> <th>mm</th> <th>inches</th> </tr> </thead> <tbody> <tr> <td>A</td> <td>Hex 8 / flat</td> <td>Hex 0.315 / flat</td> </tr> <tr> <td>B / 2 flats</td> <td>6.40</td> <td>0.252</td> </tr> <tr> <td>C</td> <td>21.60</td> <td>0.850</td> </tr> <tr> <td>D / 4 flats</td> <td>7.00</td> <td>0.280</td> </tr> <tr> <td>ØE</td> <td>8.50</td> <td>0.330</td> </tr> </tbody> </table> <table border="1" style="margin-left: 200px;"> <thead> <tr> <th>Component</th> <th>Materials</th> <th>Plating (µm)</th> </tr> </thead> <tbody> <tr> <td>Coupling Nut</td> <td>Stainless steel</td> <td>Passivated</td> </tr> <tr> <td>Center contact</td> <td>Beryllium copper</td> <td></td> </tr> <tr> <td>Outer contact</td> <td>Brass</td> <td>Ni2 / Au 1,3</td> </tr> <tr> <td>Insulator</td> <td>ULTEM</td> <td></td> </tr> <tr> <td>Body</td> <td>Stainless steel</td> <td>Passivated</td> </tr> <tr> <td>Gasket</td> <td>Silicone rubber</td> <td></td> </tr> </tbody> </table>	Dimension	mm	inches	A	Hex 8 / flat	Hex 0.315 / flat	B / 2 flats	6.40	0.252	C	21.60	0.850	D / 4 flats	7.00	0.280	ØE	8.50	0.330	Component	Materials	Plating (µm)	Coupling Nut	Stainless steel	Passivated	Center contact	Beryllium copper		Outer contact	Brass	Ni2 / Au 1,3	Insulator	ULTEM		Body	Stainless steel	Passivated	Gasket	Silicone rubber				
Dimension	mm	inches																																									
A	Hex 8 / flat	Hex 0.315 / flat																																									
B / 2 flats	6.40	0.252																																									
C	21.60	0.850																																									
D / 4 flats	7.00	0.280																																									
ØE	8.50	0.330																																									
Component	Materials	Plating (µm)																																									
Coupling Nut	Stainless steel	Passivated																																									
Center contact	Beryllium copper																																										
Outer contact	Brass	Ni2 / Au 1,3																																									
Insulator	ULTEM																																										
Body	Stainless steel	Passivated																																									
Gasket	Silicone rubber																																										

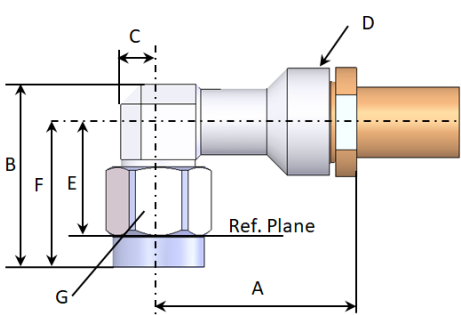
2.1.4. SMA & SMA2.9 connector for SHF5MS cable

CONNECTOR REFERENCE	DESCRIPTION																																							
R125.065.141 X	<p>Straight plug and Elbow plug SMA: with venting hole</p>  <table border="1" data-bbox="871 600 1412 831"> <thead> <tr> <th>Dimension</th> <th>mm</th> <th>inches</th> </tr> </thead> <tbody> <tr> <td>A</td> <td>Hex 8 / flat</td> <td>Hex 0.315 / flat</td> </tr> <tr> <td>B / 2 flats</td> <td>7.50</td> <td>0.290</td> </tr> <tr> <td>C</td> <td>15.64</td> <td>0.615</td> </tr> <tr> <td>D / 2 flats</td> <td>7.00</td> <td>0.270</td> </tr> <tr> <td>ØE</td> <td>8.50</td> <td>0.334</td> </tr> <tr> <td>ØF (1 hole)</td> <td>0.30</td> <td>0.012</td> </tr> </tbody> </table> <p>F: venting hole</p> <table border="1" data-bbox="536 931 1289 1126"> <thead> <tr> <th>Component</th> <th>materials</th> <th>Plating (µm)</th> </tr> </thead> <tbody> <tr> <td>Coupling Nut</td> <td>Stainless steel</td> <td>Passivated</td> </tr> <tr> <td>Center contact</td> <td>Brass</td> <td>Ni 2 /Au 1.3</td> </tr> <tr> <td>Insulator</td> <td>PTFE / ULTEM</td> <td></td> </tr> <tr> <td>Body</td> <td>Stainless Steel</td> <td>Passivated</td> </tr> <tr> <td>Gasket</td> <td>Silicone Rubber</td> <td></td> </tr> </tbody> </table>	Dimension	mm	inches	A	Hex 8 / flat	Hex 0.315 / flat	B / 2 flats	7.50	0.290	C	15.64	0.615	D / 2 flats	7.00	0.270	ØE	8.50	0.334	ØF (1 hole)	0.30	0.012	Component	materials	Plating (µm)	Coupling Nut	Stainless steel	Passivated	Center contact	Brass	Ni 2 /Au 1.3	Insulator	PTFE / ULTEM		Body	Stainless Steel	Passivated	Gasket	Silicone Rubber	
Dimension	mm	inches																																						
A	Hex 8 / flat	Hex 0.315 / flat																																						
B / 2 flats	7.50	0.290																																						
C	15.64	0.615																																						
D / 2 flats	7.00	0.270																																						
ØE	8.50	0.334																																						
ØF (1 hole)	0.30	0.012																																						
Component	materials	Plating (µm)																																						
Coupling Nut	Stainless steel	Passivated																																						
Center contact	Brass	Ni 2 /Au 1.3																																						
Insulator	PTFE / ULTEM																																							
Body	Stainless Steel	Passivated																																						
Gasket	Silicone Rubber																																							
R125.240.201 X	<p>Straight jack SMA : with venting hole</p>  <table border="1" data-bbox="880 1301 1422 1532"> <thead> <tr> <th>Dimension</th> <th>mm</th> <th>inches</th> </tr> </thead> <tbody> <tr> <td>A</td> <td>Thread 1/4 36 UNS-2A</td> <td></td> </tr> <tr> <td>B</td> <td>Hex 7.5 / flat</td> <td>Hex 0.3 / flat</td> </tr> <tr> <td>C</td> <td>14.80</td> <td>0.580</td> </tr> <tr> <td>D / 2 flats</td> <td>7.00</td> <td>0.270</td> </tr> <tr> <td>ØE</td> <td>8.50</td> <td>0.334</td> </tr> <tr> <td>ØF (1 hole)</td> <td>0.30</td> <td>0.012</td> </tr> </tbody> </table> <p>F: venting hole</p> <table border="1" data-bbox="485 1637 1406 1794"> <thead> <tr> <th>Component</th> <th>Materials</th> <th>Plating (µm)</th> </tr> </thead> <tbody> <tr> <td>Body</td> <td>Stainless steel</td> <td>Passivated</td> </tr> <tr> <td>Center contact</td> <td>Beryllium copper</td> <td>Ni2 / Au 1,3</td> </tr> <tr> <td>Solder sleeve</td> <td>Beryllium copper</td> <td>Ag 5</td> </tr> <tr> <td>Insulator</td> <td>PTFE</td> <td></td> </tr> </tbody> </table>	Dimension	mm	inches	A	Thread 1/4 36 UNS-2A		B	Hex 7.5 / flat	Hex 0.3 / flat	C	14.80	0.580	D / 2 flats	7.00	0.270	ØE	8.50	0.334	ØF (1 hole)	0.30	0.012	Component	Materials	Plating (µm)	Body	Stainless steel	Passivated	Center contact	Beryllium copper	Ni2 / Au 1,3	Solder sleeve	Beryllium copper	Ag 5	Insulator	PTFE				
Dimension	mm	inches																																						
A	Thread 1/4 36 UNS-2A																																							
B	Hex 7.5 / flat	Hex 0.3 / flat																																						
C	14.80	0.580																																						
D / 2 flats	7.00	0.270																																						
ØE	8.50	0.334																																						
ØF (1 hole)	0.30	0.012																																						
Component	Materials	Plating (µm)																																						
Body	Stainless steel	Passivated																																						
Center contact	Beryllium copper	Ni2 / Au 1,3																																						
Solder sleeve	Beryllium copper	Ag 5																																						
Insulator	PTFE																																							

CONNECTOR REFERENCE	DESCRIPTION
---------------------	-------------

R125.195.101

Right angle plug SMA:



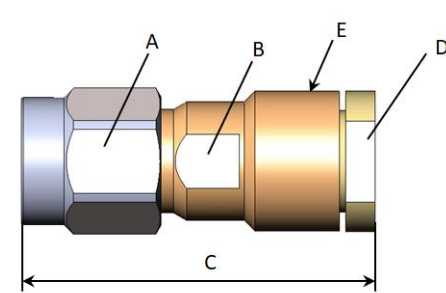
Dimension	mm	inches
A	16.7	0.657
B	15.19	0.598
C	3.15	0.125
ØD	7	0.29
E	9.32	0.366
F	12.02	0.473
G	Hex 8 / flats	Hes .315/Flats

Component	materials	Plating (µm)
Coupling Nut	Stainless steel	Passivated
Center contact	Brass	Ni 2 /Au 1.3
Insulator	PTFE / ULTEM	
Body	Stainless Steel	Passivated
Gasket	Silicone Rubber	

CONNECTOR REFERENCE	DESCRIPTION
---------------------	-------------

R127.801.201X

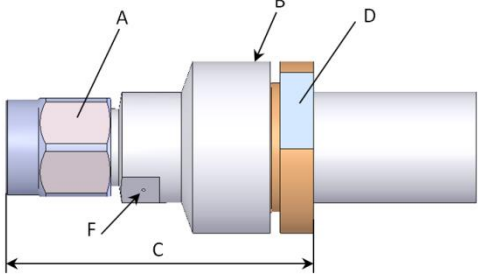
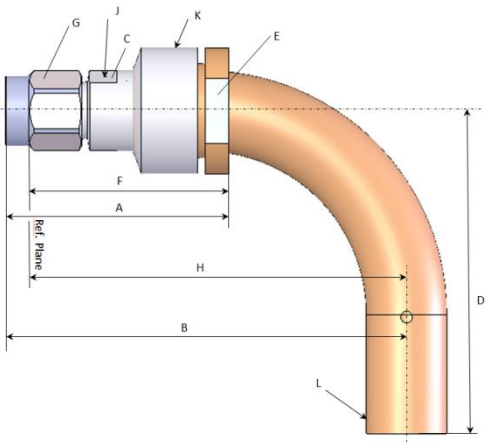
Straight plug and Elbow plug SMA2.9 :



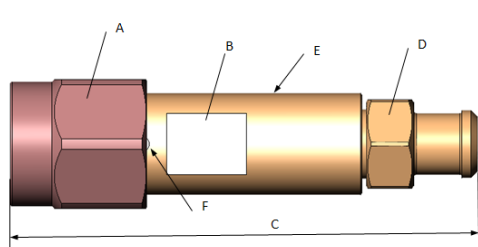
Dimension	mm	inches
A	Hex 8 / flat	Hex 0.315 / flat
B / 2 flats	6.40	0.252
C	21.54	0.848
D / 2 flats	7.00	0.275
ØE	8.50	0.335

Component	Materials	Plating (µm)
Coupling Nut	Stainless steel	Passivated
Center contact	Beryllium copper Brass	Ni2 / Au 1,3
Outer contact	Brass	Ni2 / Au 1,3
Insulator	ULTEM	
Body	Stainless steel	Passivated
Gasket	Silicone rubber	

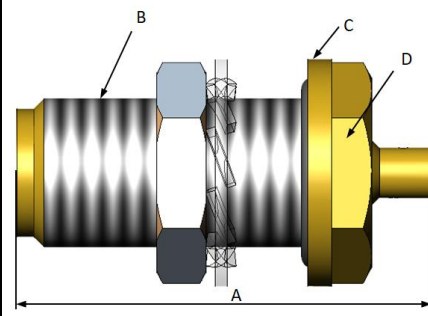
2.1.5 SMA connectors for SHF8MS cable with venting hole

CONNECTOR REFERENCE	DESCRIPTION																																																									
R125.068.021	<p>Straight plug SMA: with venting hole</p>  <table border="1" data-bbox="938 528 1453 743"> <thead> <tr> <th>Dimension</th> <th>mm</th> <th>inches</th> </tr> </thead> <tbody> <tr> <td>A</td> <td>Hex 8 / flats</td> <td>Hex 0.315 / flats</td> </tr> <tr> <td>ØB</td> <td>14</td> <td>0.551</td> </tr> <tr> <td>C</td> <td>24.75</td> <td>0.974</td> </tr> <tr> <td>D / 2 flats</td> <td>12</td> <td>0.472</td> </tr> <tr> <td>E / 2 flats</td> <td>8</td> <td>0.315</td> </tr> <tr> <td>F (1 hole)</td> <td>0.45</td> <td>0.017</td> </tr> </tbody> </table> <p>F: venting hole</p> <table border="1" data-bbox="555 869 1310 1066"> <thead> <tr> <th>Component</th> <th>materials</th> <th>Plating (µm)</th> </tr> </thead> <tbody> <tr> <td>Coupling Nut</td> <td>Stainless steel</td> <td>Passivated</td> </tr> <tr> <td>Center contact</td> <td>Brass</td> <td>Ni 2 / Au 1.3</td> </tr> <tr> <td>Insulator</td> <td>PTFE</td> <td></td> </tr> <tr> <td>Body</td> <td>Stainless Steel</td> <td>Passivated</td> </tr> <tr> <td>Gasket</td> <td>Silicone Rubber</td> <td></td> </tr> </tbody> </table>	Dimension	mm	inches	A	Hex 8 / flats	Hex 0.315 / flats	ØB	14	0.551	C	24.75	0.974	D / 2 flats	12	0.472	E / 2 flats	8	0.315	F (1 hole)	0.45	0.017	Component	materials	Plating (µm)	Coupling Nut	Stainless steel	Passivated	Center contact	Brass	Ni 2 / Au 1.3	Insulator	PTFE		Body	Stainless Steel	Passivated	Gasket	Silicone Rubber																			
Dimension	mm	inches																																																								
A	Hex 8 / flats	Hex 0.315 / flats																																																								
ØB	14	0.551																																																								
C	24.75	0.974																																																								
D / 2 flats	12	0.472																																																								
E / 2 flats	8	0.315																																																								
F (1 hole)	0.45	0.017																																																								
Component	materials	Plating (µm)																																																								
Coupling Nut	Stainless steel	Passivated																																																								
Center contact	Brass	Ni 2 / Au 1.3																																																								
Insulator	PTFE																																																									
Body	Stainless Steel	Passivated																																																								
Gasket	Silicone Rubber																																																									
CONNECTOR REFERENCE	DESCRIPTION																																																									
R125.199.123	<p>Elbow plug SMA: with venting hole</p>  <table border="1" data-bbox="919 1285 1474 1684"> <thead> <tr> <th>Dimension</th> <th>mm</th> <th>inches</th> </tr> </thead> <tbody> <tr> <td>A</td> <td>24.49</td> <td>0.964</td> </tr> <tr> <td>B</td> <td>42.19</td> <td>1.661</td> </tr> <tr> <td>C / 2 flats</td> <td>8</td> <td>0.315</td> </tr> <tr> <td>D</td> <td>36</td> <td>1.417</td> </tr> <tr> <td>E / 2 flats</td> <td>12</td> <td>0.472</td> </tr> <tr> <td>F</td> <td>21.75</td> <td>0.856</td> </tr> <tr> <td>G</td> <td>Hex 8 / flats</td> <td>Hex 0.315 / flats</td> </tr> <tr> <td>H</td> <td>39.45</td> <td>1.553</td> </tr> <tr> <td>J (1 hole)</td> <td>0.45</td> <td>0.017</td> </tr> <tr> <td>ØK</td> <td>14</td> <td>0.551</td> </tr> <tr> <td>ØL</td> <td>9</td> <td>0.354</td> </tr> </tbody> </table> <p>J: venting hole</p> <table border="1" data-bbox="497 1787 1252 2020"> <thead> <tr> <th>Component</th> <th>materials</th> <th>Plating (µm)</th> </tr> </thead> <tbody> <tr> <td>Coupling Nut</td> <td>Stainless steel</td> <td>Passivated</td> </tr> <tr> <td>Center contact</td> <td>Brass</td> <td>Ni 2 / Au 1.3</td> </tr> <tr> <td>Insulator</td> <td>PTFE</td> <td></td> </tr> <tr> <td>Body</td> <td>Stainless Steel</td> <td>Passivated</td> </tr> <tr> <td>Gasket</td> <td>Silicone Rubber</td> <td></td> </tr> <tr> <td>Ferrule</td> <td>Brass</td> <td>Ni 2 / Au 0.5</td> </tr> </tbody> </table>	Dimension	mm	inches	A	24.49	0.964	B	42.19	1.661	C / 2 flats	8	0.315	D	36	1.417	E / 2 flats	12	0.472	F	21.75	0.856	G	Hex 8 / flats	Hex 0.315 / flats	H	39.45	1.553	J (1 hole)	0.45	0.017	ØK	14	0.551	ØL	9	0.354	Component	materials	Plating (µm)	Coupling Nut	Stainless steel	Passivated	Center contact	Brass	Ni 2 / Au 1.3	Insulator	PTFE		Body	Stainless Steel	Passivated	Gasket	Silicone Rubber		Ferrule	Brass	Ni 2 / Au 0.5
Dimension	mm	inches																																																								
A	24.49	0.964																																																								
B	42.19	1.661																																																								
C / 2 flats	8	0.315																																																								
D	36	1.417																																																								
E / 2 flats	12	0.472																																																								
F	21.75	0.856																																																								
G	Hex 8 / flats	Hex 0.315 / flats																																																								
H	39.45	1.553																																																								
J (1 hole)	0.45	0.017																																																								
ØK	14	0.551																																																								
ØL	9	0.354																																																								
Component	materials	Plating (µm)																																																								
Coupling Nut	Stainless steel	Passivated																																																								
Center contact	Brass	Ni 2 / Au 1.3																																																								
Insulator	PTFE																																																									
Body	Stainless Steel	Passivated																																																								
Gasket	Silicone Rubber																																																									
Ferrule	Brass	Ni 2 / Au 0.5																																																								

2.1.5. SMA connector for LPV.086" cable

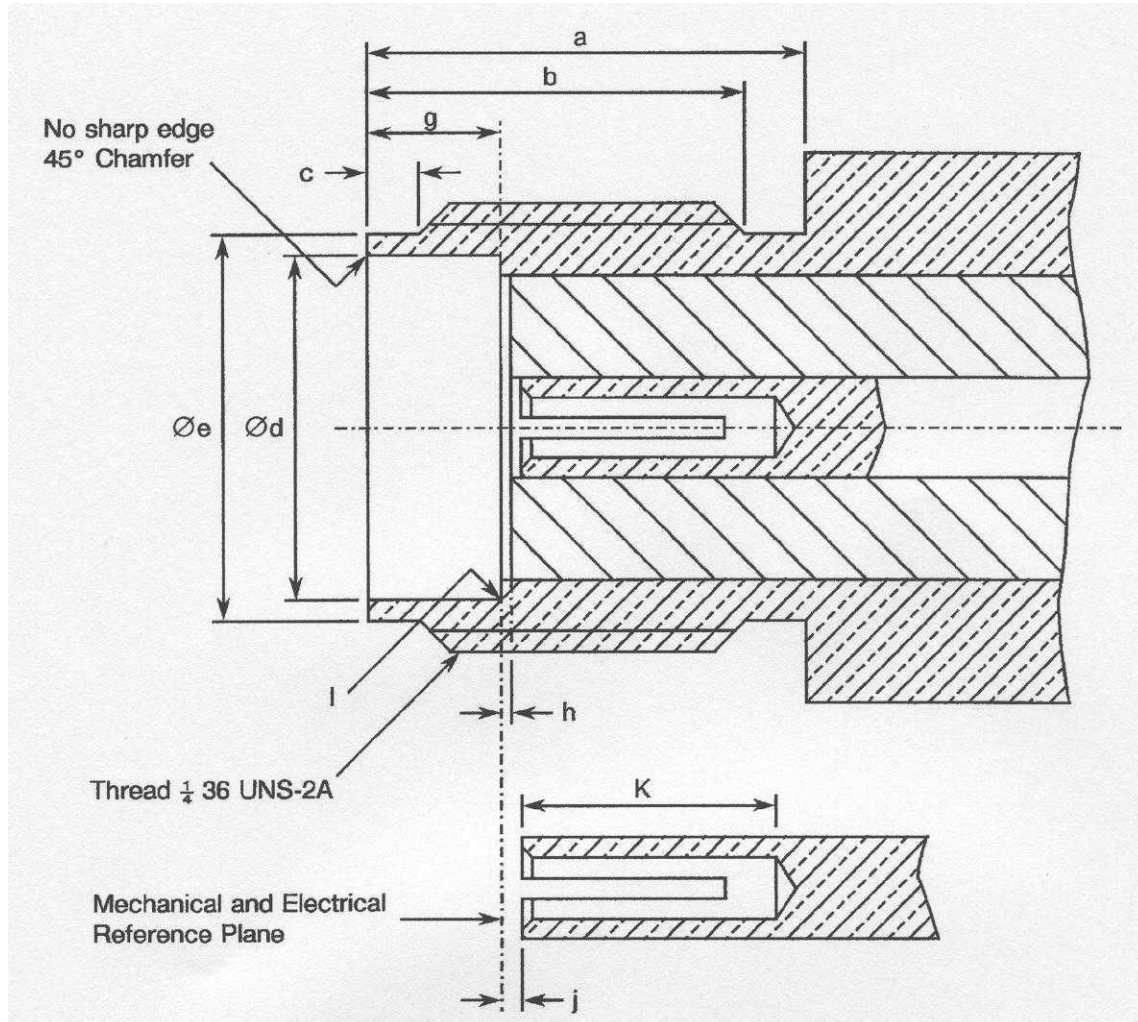
CONNECTOR REFERENCE	DESCRIPTION																																							
R125.052.101X	<p>Straight plug SMA : with venting hole</p>  <table border="1" style="margin-left: auto; margin-right: auto;"> <thead> <tr> <th>Dimension</th> <th>mm</th> <th>inches</th> </tr> </thead> <tbody> <tr> <td>A</td> <td>Hex 8 / flat</td> <td>Hex 0.315 / flat</td> </tr> <tr> <td>B / 2 flats</td> <td>5.00</td> <td>0.197</td> </tr> <tr> <td>C</td> <td>29.15</td> <td>1.148</td> </tr> <tr> <td>D</td> <td>Hex 5.5 / flat</td> <td>Hex 0.217 / flat</td> </tr> <tr> <td>ØE</td> <td>6.30</td> <td>0.248</td> </tr> <tr> <td>ØF (2 holes)</td> <td>0.30</td> <td>0.012</td> </tr> </tbody> </table> <p style="text-align: center;">F: venting hole</p> <table border="1" style="margin-left: auto; margin-right: auto;"> <thead> <tr> <th>Component</th> <th>Materials</th> <th>Plating (µm)</th> </tr> </thead> <tbody> <tr> <td>Coupling Nut</td> <td>Stainless steel</td> <td>Passivated</td> </tr> <tr> <td>Center contact</td> <td>Beryllium copper Brass</td> <td>Ni2 / Au 1,3</td> </tr> <tr> <td>Insulator</td> <td>PTFE / PEEK 450G</td> <td></td> </tr> <tr> <td>Body</td> <td>Stainless steel</td> <td>Passivated</td> </tr> <tr> <td>Gasket</td> <td>Silicone rubber</td> <td></td> </tr> </tbody> </table>	Dimension	mm	inches	A	Hex 8 / flat	Hex 0.315 / flat	B / 2 flats	5.00	0.197	C	29.15	1.148	D	Hex 5.5 / flat	Hex 0.217 / flat	ØE	6.30	0.248	ØF (2 holes)	0.30	0.012	Component	Materials	Plating (µm)	Coupling Nut	Stainless steel	Passivated	Center contact	Beryllium copper Brass	Ni2 / Au 1,3	Insulator	PTFE / PEEK 450G		Body	Stainless steel	Passivated	Gasket	Silicone rubber	
Dimension	mm	inches																																						
A	Hex 8 / flat	Hex 0.315 / flat																																						
B / 2 flats	5.00	0.197																																						
C	29.15	1.148																																						
D	Hex 5.5 / flat	Hex 0.217 / flat																																						
ØE	6.30	0.248																																						
ØF (2 holes)	0.30	0.012																																						
Component	Materials	Plating (µm)																																						
Coupling Nut	Stainless steel	Passivated																																						
Center contact	Beryllium copper Brass	Ni2 / Au 1,3																																						
Insulator	PTFE / PEEK 450G																																							
Body	Stainless steel	Passivated																																						
Gasket	Silicone rubber																																							

2.1.6. SMA2.9 connector for SHF.047" cable

CONNECTOR REFERENCE	DESCRIPTION																																	
R127.305.010X	<p>Straight Bulkhead Female SMA2.9</p>  <table border="1" style="margin-left: auto; margin-right: auto;"> <thead> <tr> <th>Dimension</th> <th>mm</th> <th>inches</th> </tr> </thead> <tbody> <tr> <td>A</td> <td>17.50</td> <td>0.689</td> </tr> <tr> <td>B</td> <td>6.23</td> <td>0.245</td> </tr> <tr> <td>ØC</td> <td>9.50</td> <td>0.246</td> </tr> <tr> <td>ØD</td> <td>Hex 8 / Flat</td> <td>Hex 0.315 / Flat</td> </tr> </tbody> </table> <table border="1" style="margin-left: auto; margin-right: auto;"> <thead> <tr> <th>Component</th> <th>Materials</th> <th>Plating (µm)</th> </tr> </thead> <tbody> <tr> <td>Body</td> <td>Brass</td> <td>N2PGR</td> </tr> <tr> <td>Center Contact</td> <td>Beryllium copper</td> <td>Ni2 Au1.3</td> </tr> <tr> <td>Insulator (interface)</td> <td>PTFE</td> <td></td> </tr> <tr> <td>Insulator (inner)</td> <td>Peek 450G/ 90G</td> <td></td> </tr> <tr> <td>EMI gasket</td> <td>Silicone Loaded Cu/Ag</td> <td></td> </tr> </tbody> </table>	Dimension	mm	inches	A	17.50	0.689	B	6.23	0.245	ØC	9.50	0.246	ØD	Hex 8 / Flat	Hex 0.315 / Flat	Component	Materials	Plating (µm)	Body	Brass	N2PGR	Center Contact	Beryllium copper	Ni2 Au1.3	Insulator (interface)	PTFE		Insulator (inner)	Peek 450G/ 90G		EMI gasket	Silicone Loaded Cu/Ag	
Dimension	mm	inches																																
A	17.50	0.689																																
B	6.23	0.245																																
ØC	9.50	0.246																																
ØD	Hex 8 / Flat	Hex 0.315 / Flat																																
Component	Materials	Plating (µm)																																
Body	Brass	N2PGR																																
Center Contact	Beryllium copper	Ni2 Au1.3																																
Insulator (interface)	PTFE																																	
Insulator (inner)	Peek 450G/ 90G																																	
EMI gasket	Silicone Loaded Cu/Ag																																	

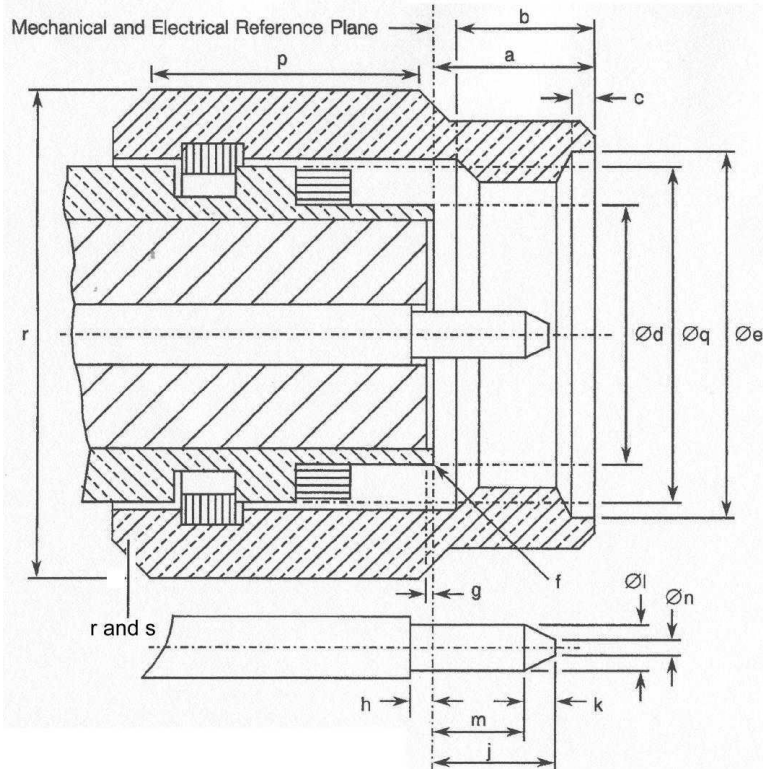
2.2. Interchangeability for SMA serie

2.2.1. SMA jack



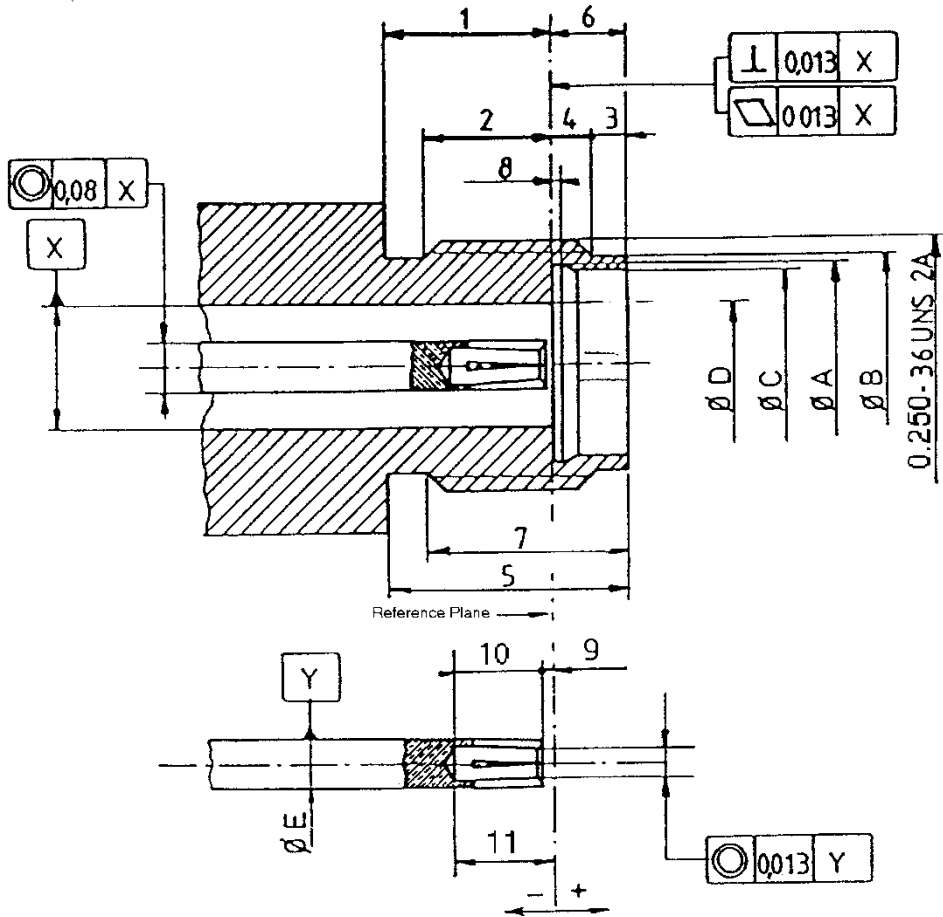
Symbol	Millimeters		notes
	min	max	
a	5.54		
b	4.32		
c	0.38	1.14	
Ød	4.597	4.67	
Øe	5.28	5.49	
g	1.88	1.98	
h	0.00	0.20	
J	0.00	0.25	
K	2.92		
l		0.04	radius

2.2.2. SMA plug



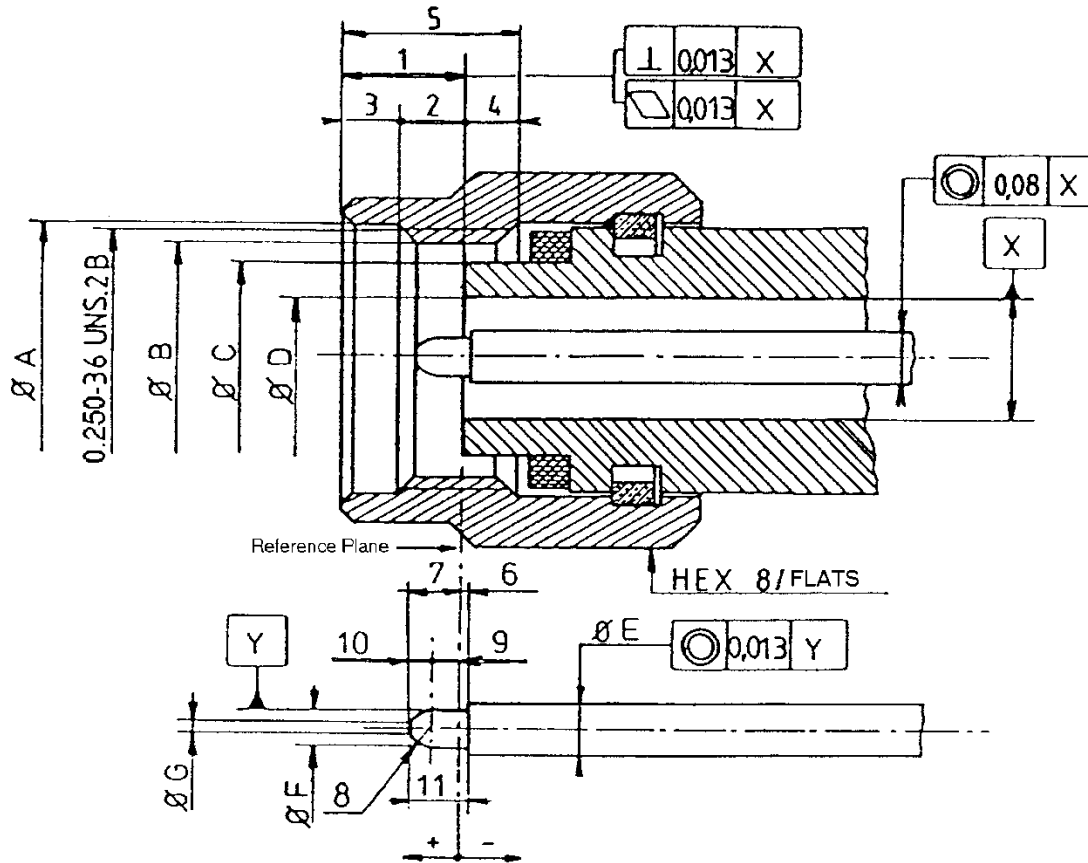
Symbol	Millimeters		notes
	min	max	
a		3.43	
b	2.54		
c	0.38	1.14	
Ød		4.592	
Øe	6.35		
f		008	Radius or 45° Chamfer
g	0.00	0.20	
h	0.00	0.25	
j		2.54	
k	0.38		
Øl	0.90	0.94	
m	1.27		
Øn		0.38	
p	3.17		
Øq			N/A
r	7.84	8.00	Hexagonal on flat
s		9.20	

2.2.3. SMA2.9 jack



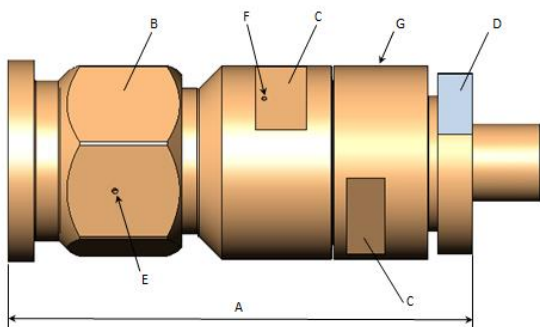
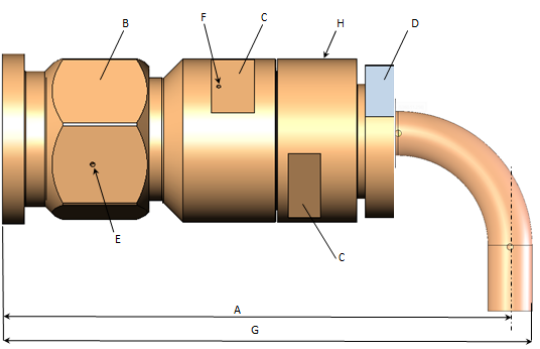
SYMBOL	MILLIMETERS		NOTES
	MIN.	MAX.	
1	3.82	4.32	
2	2.87	3.27	
3	0.65	0.95	
4	0.93	1.33	
5	5.80	6.20	
6	1.88	1.98	
7	4.85	5.15	
8	0.30	0.50	
9	0.00	0.08	
10	2.80	3.20	
11	2.80	3.28	
ØA	4.80	5.00	
ØB	5.30	5.35	
ØC	4.60	4.63	
ØD	2.905	2.945	
ØE	1.26	1.28	

2.2.4. SMA2.9 plug

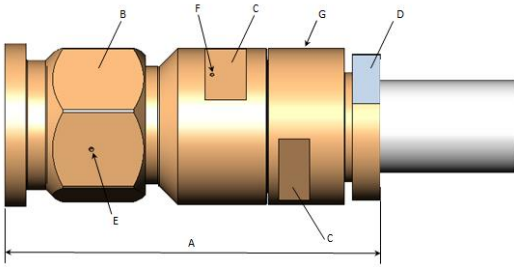
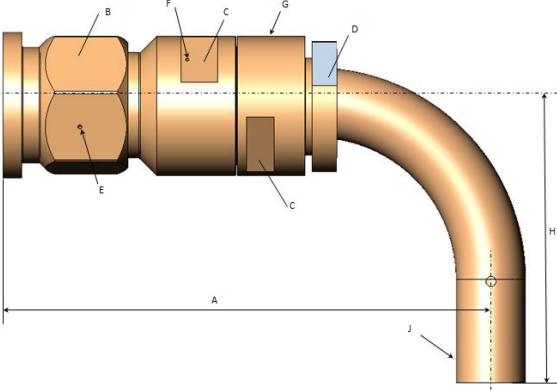


SYMBOL	MILLIMETERS		NOTES
	MIN.	MAX.	
1	2.63	3.25	Radius
2	1.58	2.20	
3	0.75	1.15	
4	0.85	1.47	
5	3.80	4.20	
6	0.00	0.08	
7	1.42	1.60	
8	R 0.80	R 0.90	
9	0.693	0.984	
10	0.616	0.727	
11	1.50	1.60	
ØA	6.60	6.70	
ØB	5.59	-	
ØC	4.55	4.58	
ØD	2.905	2.940	
ØE	1.26	1.28	
ØF	0.92	0.94	
ØG	0.20	0.34	

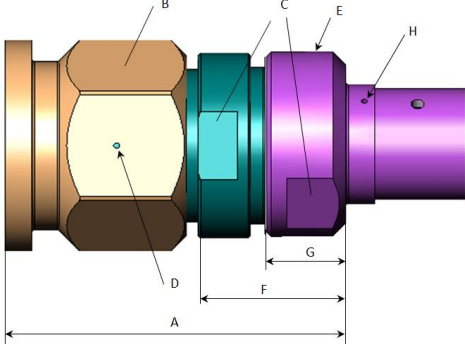
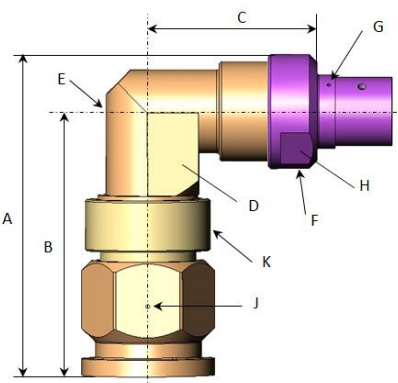
2.3. TNC connector Interface Control Drawing
2.3.1. TNC connectors for SHF5MS cable with venting hole

CONNECTOR REFERENCE	DESCRIPTION																																																
R143.065 100	<p>Straight plug TNC: with venting hole</p>  <table border="1" style="margin-left: 20px;"> <thead> <tr> <th>Dimension</th> <th>mm</th> <th>inches</th> </tr> </thead> <tbody> <tr> <td>A</td> <td>35.9</td> <td>1.41</td> </tr> <tr> <td>B</td> <td>Hex 14/flats</td> <td>Hex 0.551/flats</td> </tr> <tr> <td>C / 2 flats</td> <td>13</td> <td>0.511</td> </tr> <tr> <td>D / 2 flats</td> <td>12</td> <td>0.472</td> </tr> <tr> <td>ØE (1 Hole)</td> <td>0.45</td> <td>0.017</td> </tr> <tr> <td>ØF (1 Hole)</td> <td>0.4</td> <td>0.016</td> </tr> <tr> <td>ØG</td> <td>15</td> <td>0.59</td> </tr> </tbody> </table> <p style="margin-left: 20px;">E&F : venting Hole</p> <table border="1" style="margin-left: 20px; margin-top: 10px;"> <thead> <tr> <th>Component</th> <th>materials</th> <th>Plating (µm)</th> </tr> </thead> <tbody> <tr> <td>Coupling Nut</td> <td>Stainless steel</td> <td>Passivated</td> </tr> <tr> <td>Center contact</td> <td>Brass</td> <td>Ni 2 /Au 1.3</td> </tr> <tr> <td>Insulator</td> <td>PTFE</td> <td></td> </tr> <tr> <td>Body</td> <td>Stainless Steel</td> <td>Passivated</td> </tr> <tr> <td>Gasket</td> <td>Silicone Rubber</td> <td></td> </tr> <tr> <td>Ferrule</td> <td>Brass</td> <td>Ni 2 / Au 0.5</td> </tr> </tbody> </table>	Dimension	mm	inches	A	35.9	1.41	B	Hex 14/flats	Hex 0.551/flats	C / 2 flats	13	0.511	D / 2 flats	12	0.472	ØE (1 Hole)	0.45	0.017	ØF (1 Hole)	0.4	0.016	ØG	15	0.59	Component	materials	Plating (µm)	Coupling Nut	Stainless steel	Passivated	Center contact	Brass	Ni 2 /Au 1.3	Insulator	PTFE		Body	Stainless Steel	Passivated	Gasket	Silicone Rubber		Ferrule	Brass	Ni 2 / Au 0.5			
Dimension	mm	inches																																															
A	35.9	1.41																																															
B	Hex 14/flats	Hex 0.551/flats																																															
C / 2 flats	13	0.511																																															
D / 2 flats	12	0.472																																															
ØE (1 Hole)	0.45	0.017																																															
ØF (1 Hole)	0.4	0.016																																															
ØG	15	0.59																																															
Component	materials	Plating (µm)																																															
Coupling Nut	Stainless steel	Passivated																																															
Center contact	Brass	Ni 2 /Au 1.3																																															
Insulator	PTFE																																																
Body	Stainless Steel	Passivated																																															
Gasket	Silicone Rubber																																																
Ferrule	Brass	Ni 2 / Au 0.5																																															
R143.195 100	<p>Elbow plug TNC: with venting hole</p>  <table border="1" style="margin-left: 20px;"> <thead> <tr> <th>Dimension</th> <th>mm</th> <th>inches</th> </tr> </thead> <tbody> <tr> <td>A</td> <td>43.7</td> <td>1.72</td> </tr> <tr> <td>B</td> <td>Hex 14/flats</td> <td>Hex 0.551/flats</td> </tr> <tr> <td>C / 2 flats</td> <td>13</td> <td>0.511</td> </tr> <tr> <td>D / 2 flats</td> <td>12</td> <td>0.472</td> </tr> <tr> <td>ØE (1 Hole)</td> <td>0.45</td> <td>0.017</td> </tr> <tr> <td>ØF (1 Hole)</td> <td>0.4</td> <td>0.016</td> </tr> <tr> <td>G</td> <td>46.7</td> <td>1.83</td> </tr> <tr> <td>ØH</td> <td>15</td> <td>0.59</td> </tr> </tbody> </table> <p style="margin-left: 20px;">E&F : venting Hole</p> <table border="1" style="margin-left: 20px; margin-top: 10px;"> <thead> <tr> <th>Component</th> <th>materials</th> <th>Plating (µm)</th> </tr> </thead> <tbody> <tr> <td>Coupling Nut</td> <td>Stainless steel</td> <td>Passivated</td> </tr> <tr> <td>Center contact</td> <td>Brass</td> <td>Ni 2 /Au 1.3</td> </tr> <tr> <td>Insulator</td> <td>PTFE</td> <td></td> </tr> <tr> <td>Body</td> <td>Stainless Steel</td> <td>Passivated</td> </tr> <tr> <td>Gasket</td> <td>Silicone Rubber</td> <td></td> </tr> <tr> <td>Ferrule</td> <td>Brass</td> <td>Ni 2 / Au 0.5</td> </tr> </tbody> </table>	Dimension	mm	inches	A	43.7	1.72	B	Hex 14/flats	Hex 0.551/flats	C / 2 flats	13	0.511	D / 2 flats	12	0.472	ØE (1 Hole)	0.45	0.017	ØF (1 Hole)	0.4	0.016	G	46.7	1.83	ØH	15	0.59	Component	materials	Plating (µm)	Coupling Nut	Stainless steel	Passivated	Center contact	Brass	Ni 2 /Au 1.3	Insulator	PTFE		Body	Stainless Steel	Passivated	Gasket	Silicone Rubber		Ferrule	Brass	Ni 2 / Au 0.5
Dimension	mm	inches																																															
A	43.7	1.72																																															
B	Hex 14/flats	Hex 0.551/flats																																															
C / 2 flats	13	0.511																																															
D / 2 flats	12	0.472																																															
ØE (1 Hole)	0.45	0.017																																															
ØF (1 Hole)	0.4	0.016																																															
G	46.7	1.83																																															
ØH	15	0.59																																															
Component	materials	Plating (µm)																																															
Coupling Nut	Stainless steel	Passivated																																															
Center contact	Brass	Ni 2 /Au 1.3																																															
Insulator	PTFE																																																
Body	Stainless Steel	Passivated																																															
Gasket	Silicone Rubber																																																
Ferrule	Brass	Ni 2 / Au 0.5																																															

2.3.2. TNC connectors for SHF8MS cable with venting hole

CONNECTOR REFERENCE	DESCRIPTION																																																			
R143.068.120	<p>Straight plug TNC: with venting hole</p>  <table border="1" data-bbox="922 499 1465 730"> <thead> <tr> <th>Dimension</th> <th>mm</th> <th>inches</th> </tr> </thead> <tbody> <tr> <td>A</td> <td>35.90</td> <td>1.410</td> </tr> <tr> <td>B</td> <td>Hex 14 / flat</td> <td>Hex 0.55 / flat</td> </tr> <tr> <td>C / 2 flats</td> <td>13</td> <td>0.511</td> </tr> <tr> <td>D / 2 flats</td> <td>12</td> <td>0.472</td> </tr> <tr> <td>ØE (1 hole)</td> <td>0.45</td> <td>0.017</td> </tr> <tr> <td>ØF (1 hole)</td> <td>0.4</td> <td>0.016</td> </tr> <tr> <td>ØG</td> <td>15</td> <td>0.59</td> </tr> </tbody> </table> <p>F&G: venting hole</p> <table border="1" data-bbox="486 851 1246 1077"> <thead> <tr> <th>Component</th> <th>materials</th> <th>Plating (µm)</th> </tr> </thead> <tbody> <tr> <td>Coupling Nut</td> <td>Stainless steel</td> <td>Passivated</td> </tr> <tr> <td>Center contact</td> <td>Brass</td> <td>Ni 2 / Au 1.3</td> </tr> <tr> <td>Insulator</td> <td>PTFE</td> <td></td> </tr> <tr> <td>Body</td> <td>Stainless Steel</td> <td>Passivated</td> </tr> <tr> <td>Gasket</td> <td>Silicone Rubber</td> <td></td> </tr> <tr> <td>Ferrule</td> <td>Brass</td> <td>Ni 2 / Au 0.5</td> </tr> </tbody> </table>	Dimension	mm	inches	A	35.90	1.410	B	Hex 14 / flat	Hex 0.55 / flat	C / 2 flats	13	0.511	D / 2 flats	12	0.472	ØE (1 hole)	0.45	0.017	ØF (1 hole)	0.4	0.016	ØG	15	0.59	Component	materials	Plating (µm)	Coupling Nut	Stainless steel	Passivated	Center contact	Brass	Ni 2 / Au 1.3	Insulator	PTFE		Body	Stainless Steel	Passivated	Gasket	Silicone Rubber		Ferrule	Brass	Ni 2 / Au 0.5						
Dimension	mm	inches																																																		
A	35.90	1.410																																																		
B	Hex 14 / flat	Hex 0.55 / flat																																																		
C / 2 flats	13	0.511																																																		
D / 2 flats	12	0.472																																																		
ØE (1 hole)	0.45	0.017																																																		
ØF (1 hole)	0.4	0.016																																																		
ØG	15	0.59																																																		
Component	materials	Plating (µm)																																																		
Coupling Nut	Stainless steel	Passivated																																																		
Center contact	Brass	Ni 2 / Au 1.3																																																		
Insulator	PTFE																																																			
Body	Stainless Steel	Passivated																																																		
Gasket	Silicone Rubber																																																			
Ferrule	Brass	Ni 2 / Au 0.5																																																		
R143.198.120	<p>Elbow plug TNC: with venting hole</p>  <table border="1" data-bbox="954 1305 1497 1637"> <thead> <tr> <th>Dimension</th> <th>mm</th> <th>inches</th> </tr> </thead> <tbody> <tr> <td>A</td> <td>53.57</td> <td>2.109</td> </tr> <tr> <td>B</td> <td>Hex 14 / flat</td> <td>Hex 0.551 / flat</td> </tr> <tr> <td>C / 2 flats</td> <td>13</td> <td>0.512</td> </tr> <tr> <td>D / 2 flats</td> <td>12</td> <td>0.472</td> </tr> <tr> <td>ØE (1 hole)</td> <td>0.45</td> <td>0.017</td> </tr> <tr> <td>ØF (1 hole)</td> <td>0.4</td> <td>0.016</td> </tr> <tr> <td>G</td> <td>15</td> <td>0.59</td> </tr> <tr> <td>H</td> <td>36</td> <td>1.417</td> </tr> <tr> <td>ØJ</td> <td>9</td> <td>0.354</td> </tr> </tbody> </table> <p>E&F: venting hole</p> <table border="1" data-bbox="584 1753 1337 1980"> <thead> <tr> <th>Component</th> <th>materials</th> <th>Plating (µm)</th> </tr> </thead> <tbody> <tr> <td>Coupling Nut</td> <td>Stainless steel</td> <td>Passivated</td> </tr> <tr> <td>Center contact</td> <td>Brass</td> <td>Ni 2 / Au 1.3</td> </tr> <tr> <td>Insulator</td> <td>PTFE</td> <td></td> </tr> <tr> <td>Body</td> <td>Stainless Steel</td> <td>Passivated</td> </tr> <tr> <td>Gasket</td> <td>Silicone Rubber</td> <td></td> </tr> <tr> <td>Ferrule</td> <td>Brass</td> <td>Ni 2 / Au 0.5</td> </tr> </tbody> </table>	Dimension	mm	inches	A	53.57	2.109	B	Hex 14 / flat	Hex 0.551 / flat	C / 2 flats	13	0.512	D / 2 flats	12	0.472	ØE (1 hole)	0.45	0.017	ØF (1 hole)	0.4	0.016	G	15	0.59	H	36	1.417	ØJ	9	0.354	Component	materials	Plating (µm)	Coupling Nut	Stainless steel	Passivated	Center contact	Brass	Ni 2 / Au 1.3	Insulator	PTFE		Body	Stainless Steel	Passivated	Gasket	Silicone Rubber		Ferrule	Brass	Ni 2 / Au 0.5
Dimension	mm	inches																																																		
A	53.57	2.109																																																		
B	Hex 14 / flat	Hex 0.551 / flat																																																		
C / 2 flats	13	0.512																																																		
D / 2 flats	12	0.472																																																		
ØE (1 hole)	0.45	0.017																																																		
ØF (1 hole)	0.4	0.016																																																		
G	15	0.59																																																		
H	36	1.417																																																		
ØJ	9	0.354																																																		
Component	materials	Plating (µm)																																																		
Coupling Nut	Stainless steel	Passivated																																																		
Center contact	Brass	Ni 2 / Au 1.3																																																		
Insulator	PTFE																																																			
Body	Stainless Steel	Passivated																																																		
Gasket	Silicone Rubber																																																			
Ferrule	Brass	Ni 2 / Au 0.5																																																		

2.3.3. TNC connectors SHF8MS cable - High power type with venting hole

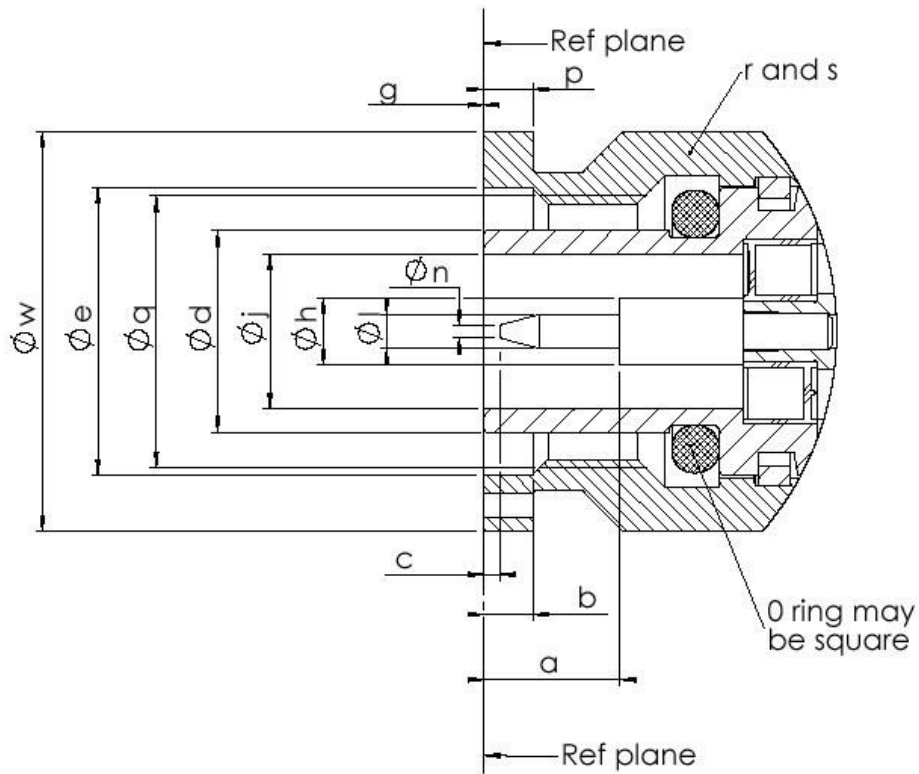
CONNECTOR REFERENCE	DESCRIPTION																																																						
R143.068.202	<p>Straight plug TNC HP: with venting hole</p>  <table border="1" style="margin-left: auto; margin-right: auto;"> <thead> <tr> <th>Dimension</th> <th>mm</th> <th>inches</th> </tr> </thead> <tbody> <tr> <td>A</td> <td>27.85</td> <td>1.096</td> </tr> <tr> <td>Hex B</td> <td>14</td> <td>.551</td> </tr> <tr> <td>C / 2 flats</td> <td>13</td> <td>.512</td> </tr> <tr> <td>D (1 hole)</td> <td>0.45</td> <td>0.017</td> </tr> <tr> <td>ØE</td> <td>14</td> <td>0.551</td> </tr> <tr> <td>F</td> <td>11.1</td> <td>0.437</td> </tr> <tr> <td>G</td> <td>6</td> <td>0.236</td> </tr> <tr> <td>H (2 holes)</td> <td>0.45</td> <td>0.017</td> </tr> </tbody> </table> <p style="text-align: center;">D and H : Venting Holes</p> <table border="1" style="margin-left: auto; margin-right: auto;"> <thead> <tr> <th>Component</th> <th>materials</th> <th>Plating (μm)</th> </tr> </thead> <tbody> <tr> <td>Coupling Nut</td> <td>Stainless steel</td> <td>Passivated</td> </tr> <tr> <td>Center contact</td> <td>Brass</td> <td>Cu 0.5 / Au 2.5</td> </tr> <tr> <td>Insulator</td> <td>PTFE</td> <td></td> </tr> <tr> <td>Body</td> <td>CuBe</td> <td>Cu 0.5 / Au 1.3</td> </tr> <tr> <td>Gasket</td> <td>Silicone Rubber</td> <td></td> </tr> <tr> <td>Ferrule</td> <td>Brass</td> <td>Cu 0.5 / Ag 5 passivated</td> </tr> </tbody> </table>	Dimension	mm	inches	A	27.85	1.096	Hex B	14	.551	C / 2 flats	13	.512	D (1 hole)	0.45	0.017	ØE	14	0.551	F	11.1	0.437	G	6	0.236	H (2 holes)	0.45	0.017	Component	materials	Plating (μm)	Coupling Nut	Stainless steel	Passivated	Center contact	Brass	Cu 0.5 / Au 2.5	Insulator	PTFE		Body	CuBe	Cu 0.5 / Au 1.3	Gasket	Silicone Rubber		Ferrule	Brass	Cu 0.5 / Ag 5 passivated						
Dimension	mm	inches																																																					
A	27.85	1.096																																																					
Hex B	14	.551																																																					
C / 2 flats	13	.512																																																					
D (1 hole)	0.45	0.017																																																					
ØE	14	0.551																																																					
F	11.1	0.437																																																					
G	6	0.236																																																					
H (2 holes)	0.45	0.017																																																					
Component	materials	Plating (μm)																																																					
Coupling Nut	Stainless steel	Passivated																																																					
Center contact	Brass	Cu 0.5 / Au 2.5																																																					
Insulator	PTFE																																																						
Body	CuBe	Cu 0.5 / Au 1.3																																																					
Gasket	Silicone Rubber																																																						
Ferrule	Brass	Cu 0.5 / Ag 5 passivated																																																					
R143.198.202	<p>Right angle plug TNC HP: with venting hole</p>  <table border="1" style="margin-left: auto; margin-right: auto;"> <thead> <tr> <th>Dimension</th> <th>mm</th> <th>inches</th> </tr> </thead> <tbody> <tr> <td>A</td> <td>38.6</td> <td>1.52</td> </tr> <tr> <td>B</td> <td>31.6</td> <td>1.244</td> </tr> <tr> <td>C</td> <td>20.4</td> <td>0.803</td> </tr> <tr> <td>D / 2 flats</td> <td>10</td> <td>0.394</td> </tr> <tr> <td>E (1 Hole)</td> <td>0.45</td> <td>0.017</td> </tr> <tr> <td>ØF</td> <td>14</td> <td>0.551</td> </tr> <tr> <td>G (2 holes)</td> <td>0.45</td> <td>0.017</td> </tr> <tr> <td>H / 2 Flats</td> <td>13</td> <td>0.512</td> </tr> <tr> <td>J (1 hole)</td> <td>0.45</td> <td>0.017</td> </tr> <tr> <td>ØK</td> <td>15</td> <td>0.590</td> </tr> </tbody> </table> <p style="text-align: center;">E, G and J : Venting Holes</p> <table border="1" style="margin-left: auto; margin-right: auto;"> <thead> <tr> <th>Component</th> <th>materials</th> <th>Plating (μm)</th> </tr> </thead> <tbody> <tr> <td>Coupling Nut</td> <td>Stainless steel</td> <td>Passivated</td> </tr> <tr> <td>Center contact</td> <td>Brass</td> <td>Cu 0.5 / Au 2.5</td> </tr> <tr> <td>Insulator</td> <td>PTFE</td> <td></td> </tr> <tr> <td>Body</td> <td>CuBe</td> <td>Cu 0.5 / Au 1.3</td> </tr> <tr> <td>Gasket</td> <td>Silicone Rubber</td> <td></td> </tr> <tr> <td>Ferrule</td> <td>Brass</td> <td>Cu 0.5 / Ag 5 passivated</td> </tr> </tbody> </table>	Dimension	mm	inches	A	38.6	1.52	B	31.6	1.244	C	20.4	0.803	D / 2 flats	10	0.394	E (1 Hole)	0.45	0.017	ØF	14	0.551	G (2 holes)	0.45	0.017	H / 2 Flats	13	0.512	J (1 hole)	0.45	0.017	ØK	15	0.590	Component	materials	Plating (μm)	Coupling Nut	Stainless steel	Passivated	Center contact	Brass	Cu 0.5 / Au 2.5	Insulator	PTFE		Body	CuBe	Cu 0.5 / Au 1.3	Gasket	Silicone Rubber		Ferrule	Brass	Cu 0.5 / Ag 5 passivated
Dimension	mm	inches																																																					
A	38.6	1.52																																																					
B	31.6	1.244																																																					
C	20.4	0.803																																																					
D / 2 flats	10	0.394																																																					
E (1 Hole)	0.45	0.017																																																					
ØF	14	0.551																																																					
G (2 holes)	0.45	0.017																																																					
H / 2 Flats	13	0.512																																																					
J (1 hole)	0.45	0.017																																																					
ØK	15	0.590																																																					
Component	materials	Plating (μm)																																																					
Coupling Nut	Stainless steel	Passivated																																																					
Center contact	Brass	Cu 0.5 / Au 2.5																																																					
Insulator	PTFE																																																						
Body	CuBe	Cu 0.5 / Au 1.3																																																					
Gasket	Silicone Rubber																																																						
Ferrule	Brass	Cu 0.5 / Ag 5 passivated																																																					

2.3.4. TNC connectors SHF8MS cable - Very High Power type with venting hole

See ESCC3408/001 specification for more details

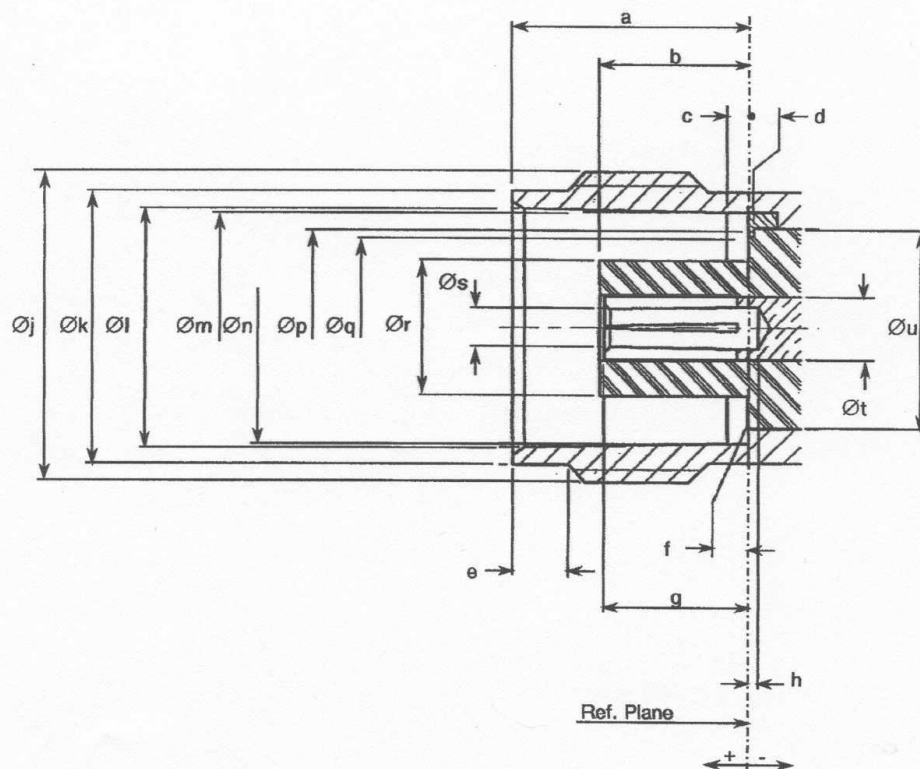
2.4. Interchangeability for TNC serie

2.4.1. TNC plug DC/ 18 GHz



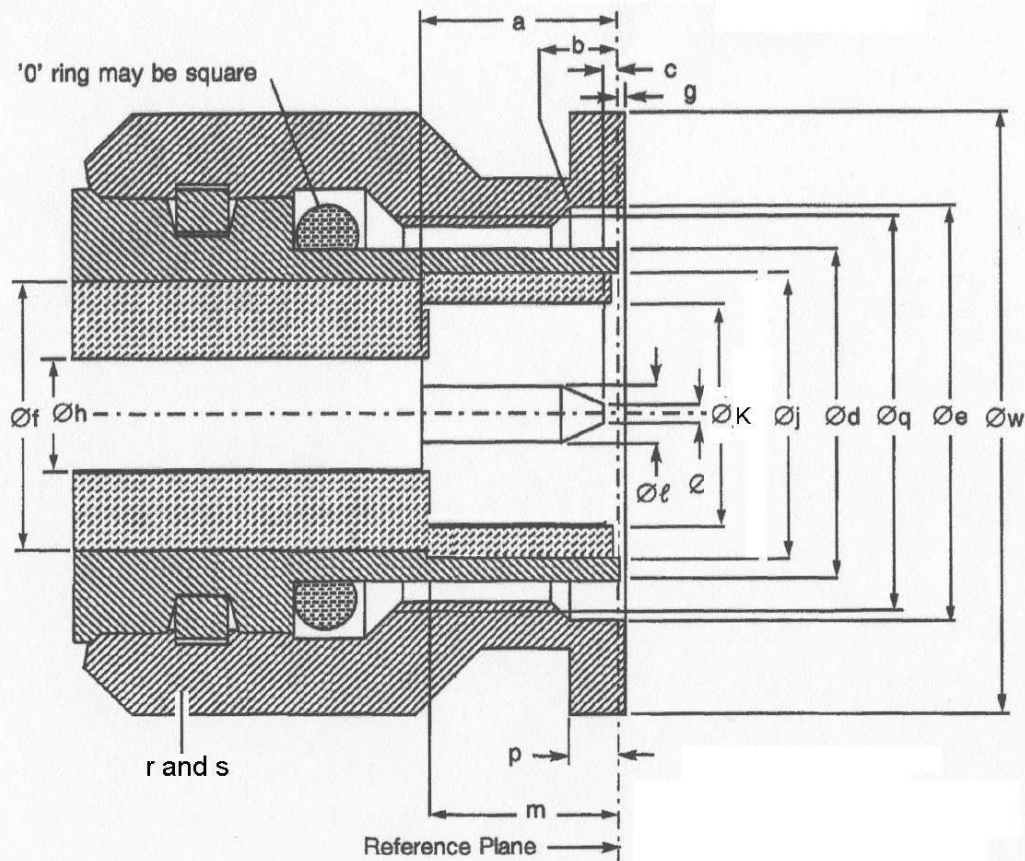
SYMBOL	MILLIMETERS		NOTES
	MIN.	MAX.	
a	5.35	5.50	
b	1.50	2.40	
c	0.35	0.90	
ϕ_d	8.03	8.09	
ϕ_e	11.40	11.60	
g	-0.30	+0.55	
ϕ_h	1.62	1.66	
ϕ_j	6.18	6.22	
ϕ_l	1.34	1.36	
m	5.28	5.38	
ϕ_n	0.35	0.65	
p	1.50	2.40	
ϕ_q	7/16 28	UNEF 2B	hexagon
r	-	14.00	
ϕ_s	-	16.00	
ϕ_w	-	16.00	

2.4.2. TNC 18 Jack DC / 18 GHz



SYMBOL	MILLIMETERS		NOTES
	MIN.	MAX.	
a	8.36	8.46	
b	5.18	5.28	
c	0.48	1.02	
d	0.17	0.23	
e	1.80	2.20	
f	-0.1	+0.05	
g	4.98	5.23	
h	-0.72	+0.03	
Ø j	7/16 28	UNEF2A	
Øk	9.61	9.68	
Øl	9.32	9.46	
Øm	8.09	8.14	
Øn	8.10	8.15	
Øp	6.73	6.78	
Øq	6.05	6.15	
Ør	4.68	4.72	
Øs	1.43	1.47	
Øt	2.14	2.18	
Øu	6.975	7.025	

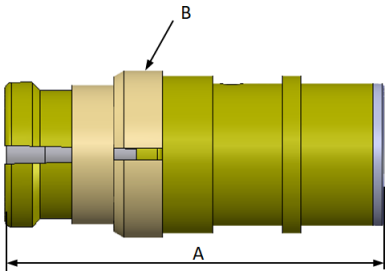
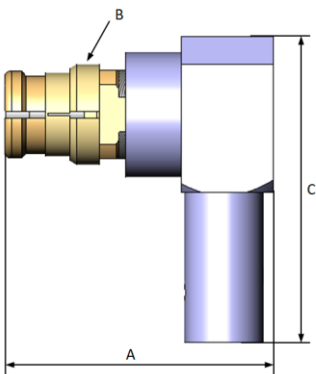
2.4.3. TNC Plug high power DC / 8 GHz

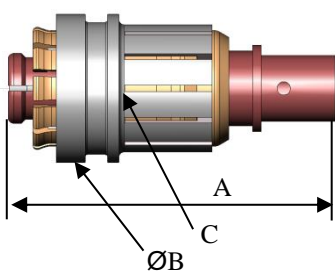
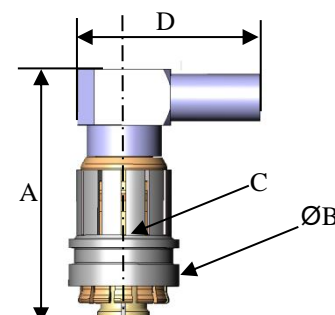


Symbol	Millimetres		notes
	min	max	
a	5.33	5.84	
b	1.50	2.40	
c	0.30	0.90	
Ød	8.03	8.09	
Øe	11.40	11.60	
f	5.28	5.32	
g	-0.3	+0.9	
Øh	2.16	2.20	
Øj	6.98	7.02	
Øk	4.88	4.92	
Øl	1.35	1.37	
m	5.28	5.79	
Øn	0.35	0.65	
p	1.50	2.40	
Øq	7/16.28	UNEF 2A	
r		14	
Øs , Øw		16	

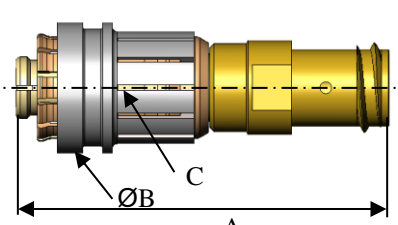
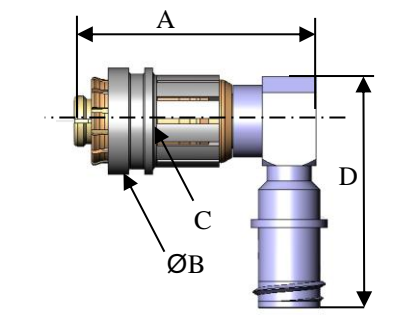
2.5. SMP - SMP Lock Connector Interface Control Drawing

2.5.1. SMP & SMP Lock connector for SHF2.4MS cable

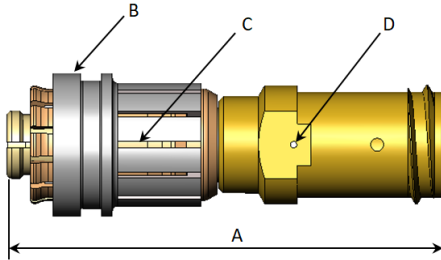
CONNECTOR REFERENCE	DESCRIPTION																											
R232.062.100	<p><u>Straight and Elbow Female SMP</u></p>  <table border="1" data-bbox="858 645 1412 741"> <thead> <tr> <th>Dimension</th> <th>mm</th> <th>inches</th> </tr> </thead> <tbody> <tr> <td>A</td> <td>8.20</td> <td>0.323</td> </tr> <tr> <td>ØB</td> <td>3.60</td> <td>0.142</td> </tr> </tbody> </table> <table border="1" data-bbox="399 898 1430 1061"> <thead> <tr> <th>Component</th> <th>Materials</th> <th>Plating (µm)</th> </tr> </thead> <tbody> <tr> <td>Body</td> <td>Berylium copper</td> <td>NPGR (NIP2 Au0.2) / Ag2</td> </tr> <tr> <td>Center Contact</td> <td>Berylium copper</td> <td>Ni2 Au1.3 / Ag2</td> </tr> <tr> <td>Insulator (interface)</td> <td>PTFE</td> <td></td> </tr> <tr> <td>EMI ring</td> <td>Berylium copper</td> <td>Ni2 Au1.3</td> </tr> </tbody> </table>	Dimension	mm	inches	A	8.20	0.323	ØB	3.60	0.142	Component	Materials	Plating (µm)	Body	Berylium copper	NPGR (NIP2 Au0.2) / Ag2	Center Contact	Berylium copper	Ni2 Au1.3 / Ag2	Insulator (interface)	PTFE		EMI ring	Berylium copper	Ni2 Au1.3			
	Dimension	mm	inches																									
A	8.20	0.323																										
ØB	3.60	0.142																										
Component	Materials	Plating (µm)																										
Body	Berylium copper	NPGR (NIP2 Au0.2) / Ag2																										
Center Contact	Berylium copper	Ni2 Au1.3 / Ag2																										
Insulator (interface)	PTFE																											
EMI ring	Berylium copper	Ni2 Au1.3																										
R232.162.100	<p><u>Right angle Female SMP</u></p>  <table border="1" data-bbox="876 1386 1430 1514"> <thead> <tr> <th>Dimension</th> <th>mm</th> <th>inches</th> </tr> </thead> <tbody> <tr> <td>A</td> <td>9.65</td> <td>0.380</td> </tr> <tr> <td>ØB</td> <td>3.60</td> <td>0.142</td> </tr> <tr> <td>C</td> <td>11.00</td> <td>0.433</td> </tr> </tbody> </table> <table border="1" data-bbox="399 1816 1430 1980"> <thead> <tr> <th>Component</th> <th>Materials</th> <th>Plating (µm)</th> </tr> </thead> <tbody> <tr> <td>Body</td> <td>Berylium copper</td> <td>NPGR (NIP2 Au0.2) / Ag3</td> </tr> <tr> <td>Center Contact</td> <td>Berylium copper</td> <td>Ni2 Au1.3 / Ag3</td> </tr> <tr> <td>Insulator (interface)</td> <td>PTFE</td> <td></td> </tr> <tr> <td>EMI ring</td> <td>Berylium copper</td> <td>Ni2 Au1.3</td> </tr> </tbody> </table>	Dimension	mm	inches	A	9.65	0.380	ØB	3.60	0.142	C	11.00	0.433	Component	Materials	Plating (µm)	Body	Berylium copper	NPGR (NIP2 Au0.2) / Ag3	Center Contact	Berylium copper	Ni2 Au1.3 / Ag3	Insulator (interface)	PTFE		EMI ring	Berylium copper	Ni2 Au1.3
	Dimension	mm	inches																									
A	9.65	0.380																										
ØB	3.60	0.142																										
C	11.00	0.433																										
Component	Materials	Plating (µm)																										
Body	Berylium copper	NPGR (NIP2 Au0.2) / Ag3																										
Center Contact	Berylium copper	Ni2 Au1.3 / Ag3																										
Insulator (interface)	PTFE																											
EMI ring	Berylium copper	Ni2 Au1.3																										

CONNECTOR REFERENCE	DESCRIPTION																																													
R232.L80.000	<p>Straight and Elbow Female SMP Lock (with venting hole)</p>  <table border="1" style="margin-left: auto; margin-right: auto;"> <thead> <tr> <th>Dimension</th> <th>mm</th> <th>inches</th> </tr> </thead> <tbody> <tr> <td>A</td> <td>14.6</td> <td>0.575</td> </tr> <tr> <td>ØB</td> <td>6.65</td> <td>0.262</td> </tr> <tr> <td>C (1 hole)</td> <td>0.3</td> <td>0.012</td> </tr> </tbody> </table> <p style="margin-left: 100px;">C: venting hole</p> <table border="1" style="margin-left: auto; margin-right: auto;"> <thead> <tr> <th>Component</th> <th>Materials</th> <th>Plating (µm)</th> </tr> </thead> <tbody> <tr> <td>Body</td> <td>Beryllium copper</td> <td>Ag3 and NPRG (NiP2Au0.2)</td> </tr> <tr> <td>Locking ground contact</td> <td>Beryllium copper</td> <td>NPGR (NiP2 Au0.2)</td> </tr> <tr> <td>Locking cap</td> <td>Beryllium copper</td> <td>Ni2</td> </tr> <tr> <td>Center Contact</td> <td>Beryllium copper</td> <td>Ag2 and Ni1.3 Au1.3</td> </tr> <tr> <td>Insulator (interface)</td> <td>PTFE</td> <td></td> </tr> <tr> <td>Insulator (inner)</td> <td>Peek 90G</td> <td></td> </tr> <tr> <td>EMI gasket</td> <td>Silicone Loaded Ag</td> <td></td> </tr> </tbody> </table>	Dimension	mm	inches	A	14.6	0.575	ØB	6.65	0.262	C (1 hole)	0.3	0.012	Component	Materials	Plating (µm)	Body	Beryllium copper	Ag3 and NPRG (NiP2Au0.2)	Locking ground contact	Beryllium copper	NPGR (NiP2 Au0.2)	Locking cap	Beryllium copper	Ni2	Center Contact	Beryllium copper	Ag2 and Ni1.3 Au1.3	Insulator (interface)	PTFE		Insulator (inner)	Peek 90G		EMI gasket	Silicone Loaded Ag										
Dimension	mm	inches																																												
A	14.6	0.575																																												
ØB	6.65	0.262																																												
C (1 hole)	0.3	0.012																																												
Component	Materials	Plating (µm)																																												
Body	Beryllium copper	Ag3 and NPRG (NiP2Au0.2)																																												
Locking ground contact	Beryllium copper	NPGR (NiP2 Au0.2)																																												
Locking cap	Beryllium copper	Ni2																																												
Center Contact	Beryllium copper	Ag2 and Ni1.3 Au1.3																																												
Insulator (interface)	PTFE																																													
Insulator (inner)	Peek 90G																																													
EMI gasket	Silicone Loaded Ag																																													
R232.L80.300	<p>Right angle Female SMP Lock (with venting hole)</p>  <table border="1" style="margin-left: auto; margin-right: auto;"> <thead> <tr> <th>Dimension</th> <th>mm</th> <th>inches</th> </tr> </thead> <tbody> <tr> <td>A</td> <td>15.15</td> <td>0.596</td> </tr> <tr> <td>ØB</td> <td>6.65</td> <td>0.262</td> </tr> <tr> <td>C (1 hole)</td> <td>0.3</td> <td>0.012</td> </tr> <tr> <td>D</td> <td>11</td> <td>0.433</td> </tr> </tbody> </table> <p style="margin-left: 100px;">C: venting hole</p> <table border="1" style="margin-left: auto; margin-right: auto;"> <thead> <tr> <th>Component</th> <th>Materials</th> <th>Plating (µm)</th> </tr> </thead> <tbody> <tr> <td>Body (Front)</td> <td>Beryllium copper</td> <td>NPRG (NiP2Au0.2)</td> </tr> <tr> <td>Body (rear)</td> <td>Brass</td> <td>Ag3</td> </tr> <tr> <td>Locking ground contact</td> <td>Beryllium copper</td> <td>NPGR (NiP2 Au0.2)</td> </tr> <tr> <td>Locking cap</td> <td>Beryllium copper</td> <td>Ni2</td> </tr> <tr> <td>Center Contact (interface)</td> <td>Beryllium copper</td> <td>Ni1.3 Au1.3</td> </tr> <tr> <td>Center Contact (inner)</td> <td>Beryllium copper</td> <td>Ag3</td> </tr> <tr> <td>Insulator (interface)</td> <td>PTFE</td> <td></td> </tr> <tr> <td>Insulator (inner)</td> <td>Peek 90G</td> <td></td> </tr> <tr> <td>EMI gasket</td> <td>Silicone Loaded Ag</td> <td></td> </tr> </tbody> </table>	Dimension	mm	inches	A	15.15	0.596	ØB	6.65	0.262	C (1 hole)	0.3	0.012	D	11	0.433	Component	Materials	Plating (µm)	Body (Front)	Beryllium copper	NPRG (NiP2Au0.2)	Body (rear)	Brass	Ag3	Locking ground contact	Beryllium copper	NPGR (NiP2 Au0.2)	Locking cap	Beryllium copper	Ni2	Center Contact (interface)	Beryllium copper	Ni1.3 Au1.3	Center Contact (inner)	Beryllium copper	Ag3	Insulator (interface)	PTFE		Insulator (inner)	Peek 90G		EMI gasket	Silicone Loaded Ag	
Dimension	mm	inches																																												
A	15.15	0.596																																												
ØB	6.65	0.262																																												
C (1 hole)	0.3	0.012																																												
D	11	0.433																																												
Component	Materials	Plating (µm)																																												
Body (Front)	Beryllium copper	NPRG (NiP2Au0.2)																																												
Body (rear)	Brass	Ag3																																												
Locking ground contact	Beryllium copper	NPGR (NiP2 Au0.2)																																												
Locking cap	Beryllium copper	Ni2																																												
Center Contact (interface)	Beryllium copper	Ni1.3 Au1.3																																												
Center Contact (inner)	Beryllium copper	Ag3																																												
Insulator (interface)	PTFE																																													
Insulator (inner)	Peek 90G																																													
EMI gasket	Silicone Loaded Ag																																													

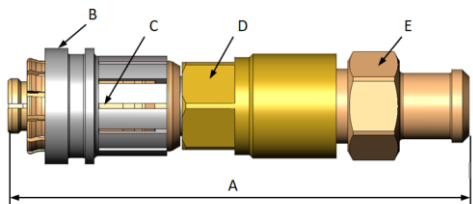
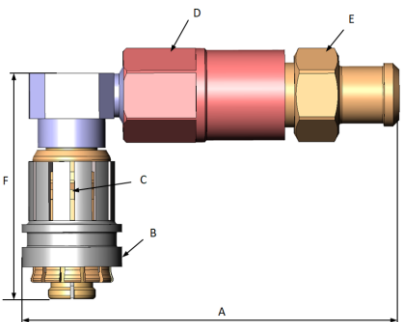
2.5.2. SMP Lock connector for SHF3MS cable

CONNECTOR REFERENCE	DESCRIPTION																																													
R232.L80.002	<p>Straight and Elbow Female SMP Lock (with venting hole)</p>  <table border="1" style="margin-left: auto; margin-right: auto;"> <thead> <tr> <th>Dimension</th> <th>mm</th> <th>inches</th> </tr> </thead> <tbody> <tr> <td>A</td> <td>19.11</td> <td>0.75</td> </tr> <tr> <td>ØB</td> <td>6.65</td> <td>0.262</td> </tr> <tr> <td>C (1 hole)</td> <td>0.3</td> <td>0.012</td> </tr> </tbody> </table> <p style="text-align: center;">C: venting Hole</p> <table border="1" style="margin-left: auto; margin-right: auto;"> <thead> <tr> <th>Component</th> <th>materials</th> <th>Plating (µm)</th> </tr> </thead> <tbody> <tr> <td>Body</td> <td>Beryllium copper</td> <td>Ag3 and NPGR (NiP2 Au0.2)</td> </tr> <tr> <td>Locking ground contact</td> <td>Beryllium copper</td> <td>NPGR (NiP2 Au0.2)</td> </tr> <tr> <td>Locking cap</td> <td>Beryllium copper</td> <td>Ni2</td> </tr> <tr> <td>Center contact</td> <td>Beryllium copper</td> <td>Ag2 Ni2 / Au1.3</td> </tr> <tr> <td>Insulator (interface)</td> <td>PTFE</td> <td>-</td> </tr> <tr> <td>Insulator (Inner)</td> <td>Peek G90</td> <td>-</td> </tr> <tr> <td>EMI gasket</td> <td>Silicone Loaded Ag</td> <td>-</td> </tr> </tbody> </table>	Dimension	mm	inches	A	19.11	0.75	ØB	6.65	0.262	C (1 hole)	0.3	0.012	Component	materials	Plating (µm)	Body	Beryllium copper	Ag3 and NPGR (NiP2 Au0.2)	Locking ground contact	Beryllium copper	NPGR (NiP2 Au0.2)	Locking cap	Beryllium copper	Ni2	Center contact	Beryllium copper	Ag2 Ni2 / Au1.3	Insulator (interface)	PTFE	-	Insulator (Inner)	Peek G90	-	EMI gasket	Silicone Loaded Ag	-									
Dimension	mm	inches																																												
A	19.11	0.75																																												
ØB	6.65	0.262																																												
C (1 hole)	0.3	0.012																																												
Component	materials	Plating (µm)																																												
Body	Beryllium copper	Ag3 and NPGR (NiP2 Au0.2)																																												
Locking ground contact	Beryllium copper	NPGR (NiP2 Au0.2)																																												
Locking cap	Beryllium copper	Ni2																																												
Center contact	Beryllium copper	Ag2 Ni2 / Au1.3																																												
Insulator (interface)	PTFE	-																																												
Insulator (Inner)	Peek G90	-																																												
EMI gasket	Silicone Loaded Ag	-																																												
R232.L80.310	<p>Right angle Female SMP Lock (with venting hole)</p>  <table border="1" style="margin-left: auto; margin-right: auto;"> <thead> <tr> <th>Dimension</th> <th>mm</th> <th>inches</th> </tr> </thead> <tbody> <tr> <td>A</td> <td>15.15</td> <td>0.595</td> </tr> <tr> <td>ØB</td> <td>6.65</td> <td>0.262</td> </tr> <tr> <td>C (1 hole)</td> <td>0.3</td> <td>0.012</td> </tr> <tr> <td>D</td> <td>14.55</td> <td>0.57</td> </tr> </tbody> </table> <p style="text-align: center;">C: venting Hole</p> <table border="1" style="margin-left: auto; margin-right: auto;"> <thead> <tr> <th>Component</th> <th>materials</th> <th>Plating (µm)</th> </tr> </thead> <tbody> <tr> <td>Body (Front)</td> <td>Beryllium copper</td> <td>Ag3 and NPGR (NiP2 Au0.2)</td> </tr> <tr> <td>Body (rear)</td> <td>Brass</td> <td>Ag3 and NPGR (NiP2 Au0.2)</td> </tr> <tr> <td>Locking ground contact</td> <td>Beryllium copper</td> <td>NPGR (NiP2 Au0.2)</td> </tr> <tr> <td>Locking cap</td> <td>Beryllium copper</td> <td>Ni2</td> </tr> <tr> <td>Center contact (interface)</td> <td>Beryllium copper</td> <td>Ag2 Ni2 / Au1.3</td> </tr> <tr> <td>Center contact (inner)</td> <td>Beryllium copper</td> <td>Ag3</td> </tr> <tr> <td>Insulator (interface)</td> <td>PTFE</td> <td>-</td> </tr> <tr> <td>Insulator (Inner)</td> <td>Peek G90</td> <td>-</td> </tr> <tr> <td>EMI gasket</td> <td>Silicone Loaded Ag</td> <td>-</td> </tr> </tbody> </table>	Dimension	mm	inches	A	15.15	0.595	ØB	6.65	0.262	C (1 hole)	0.3	0.012	D	14.55	0.57	Component	materials	Plating (µm)	Body (Front)	Beryllium copper	Ag3 and NPGR (NiP2 Au0.2)	Body (rear)	Brass	Ag3 and NPGR (NiP2 Au0.2)	Locking ground contact	Beryllium copper	NPGR (NiP2 Au0.2)	Locking cap	Beryllium copper	Ni2	Center contact (interface)	Beryllium copper	Ag2 Ni2 / Au1.3	Center contact (inner)	Beryllium copper	Ag3	Insulator (interface)	PTFE	-	Insulator (Inner)	Peek G90	-	EMI gasket	Silicone Loaded Ag	-
Dimension	mm	inches																																												
A	15.15	0.595																																												
ØB	6.65	0.262																																												
C (1 hole)	0.3	0.012																																												
D	14.55	0.57																																												
Component	materials	Plating (µm)																																												
Body (Front)	Beryllium copper	Ag3 and NPGR (NiP2 Au0.2)																																												
Body (rear)	Brass	Ag3 and NPGR (NiP2 Au0.2)																																												
Locking ground contact	Beryllium copper	NPGR (NiP2 Au0.2)																																												
Locking cap	Beryllium copper	Ni2																																												
Center contact (interface)	Beryllium copper	Ag2 Ni2 / Au1.3																																												
Center contact (inner)	Beryllium copper	Ag3																																												
Insulator (interface)	PTFE	-																																												
Insulator (Inner)	Peek G90	-																																												
EMI gasket	Silicone Loaded Ag	-																																												

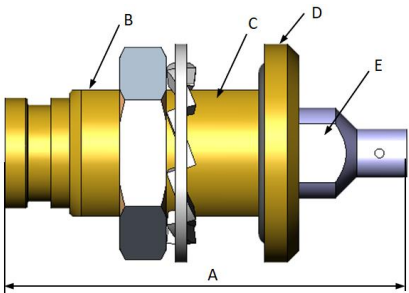
2.5.3. SMP Lock connector for SHF4.8MS cable

CONNECTOR REFERENCE	DESCRIPTION																																							
R232.L80.012	<p>Straight and Elbow Female SMP Lock (with venting hole)</p>  <table border="1" data-bbox="930 622 1485 779"> <thead> <tr> <th>Dimension</th> <th>mm</th> <th>inches</th> </tr> </thead> <tbody> <tr> <td>A</td> <td>20.46</td> <td>0.810</td> </tr> <tr> <td>ØB</td> <td>6.65</td> <td>0.292</td> </tr> <tr> <td>ØC (1 hole)</td> <td>0.3</td> <td>0.012</td> </tr> <tr> <td>ØD (2 holes)</td> <td>0.3</td> <td>0.012</td> </tr> </tbody> </table> <p>C&D: venting hole</p> <table border="1" data-bbox="475 871 1418 1149"> <thead> <tr> <th>Component</th> <th>materials</th> <th>Plating (µm)</th> </tr> </thead> <tbody> <tr> <td>Body</td> <td>Beryllium copper</td> <td>Ag3 and NPGR (NiP2 Au0.2)</td> </tr> <tr> <td>Locking ground contact</td> <td>Beryllium copper</td> <td>NPGR (NiP2 Au0.2)</td> </tr> <tr> <td>Locking cap</td> <td>Beryllium copper</td> <td>Ni2</td> </tr> <tr> <td>Center contact</td> <td>Beryllium copper</td> <td>Ag2 Ni2 / Au1.3</td> </tr> <tr> <td>Insulator (interface)</td> <td>PTFE</td> <td>-</td> </tr> <tr> <td>Insulator (Inner)</td> <td>Peek G90</td> <td>-</td> </tr> <tr> <td>EMI gasket</td> <td>Silicone Loaded Ag</td> <td>-</td> </tr> </tbody> </table>	Dimension	mm	inches	A	20.46	0.810	ØB	6.65	0.292	ØC (1 hole)	0.3	0.012	ØD (2 holes)	0.3	0.012	Component	materials	Plating (µm)	Body	Beryllium copper	Ag3 and NPGR (NiP2 Au0.2)	Locking ground contact	Beryllium copper	NPGR (NiP2 Au0.2)	Locking cap	Beryllium copper	Ni2	Center contact	Beryllium copper	Ag2 Ni2 / Au1.3	Insulator (interface)	PTFE	-	Insulator (Inner)	Peek G90	-	EMI gasket	Silicone Loaded Ag	-
Dimension	mm	inches																																						
A	20.46	0.810																																						
ØB	6.65	0.292																																						
ØC (1 hole)	0.3	0.012																																						
ØD (2 holes)	0.3	0.012																																						
Component	materials	Plating (µm)																																						
Body	Beryllium copper	Ag3 and NPGR (NiP2 Au0.2)																																						
Locking ground contact	Beryllium copper	NPGR (NiP2 Au0.2)																																						
Locking cap	Beryllium copper	Ni2																																						
Center contact	Beryllium copper	Ag2 Ni2 / Au1.3																																						
Insulator (interface)	PTFE	-																																						
Insulator (Inner)	Peek G90	-																																						
EMI gasket	Silicone Loaded Ag	-																																						

2.5.4. SMP Lock connector for LPV.086" cable

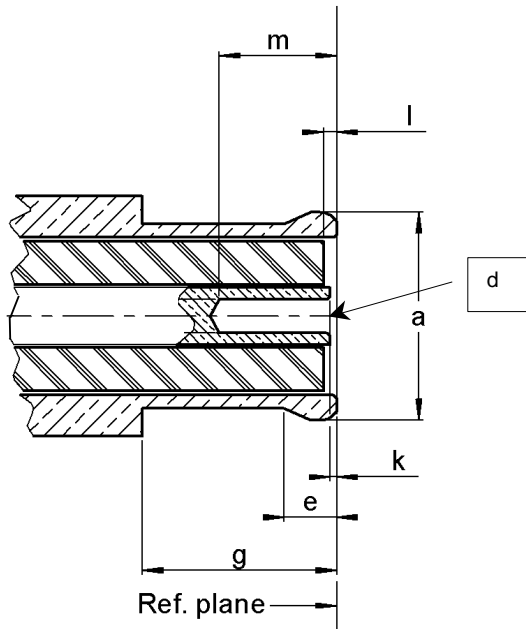
CONNECTOR REFERENCE	DESCRIPTION																											
R232.L80.030	Straight and Elbow Female SMP Lock (with venting hole)																											
																												
	<table border="1"> <thead> <tr> <th>Dimension</th> <th>mm</th> <th>inches</th> </tr> </thead> <tbody> <tr> <td>A</td> <td>24.40</td> <td>0.961</td> </tr> <tr> <td>ØB</td> <td>6.65</td> <td>0.262</td> </tr> <tr> <td>ØC (1 hole)</td> <td>0.3</td> <td>0.012</td> </tr> <tr> <td>D</td> <td>Hex 5/Flat</td> <td>0.197</td> </tr> <tr> <td>E</td> <td>Hex 5.5/Flat</td> <td>0.217</td> </tr> </tbody> </table>	Dimension	mm	inches	A	24.40	0.961	ØB	6.65	0.262	ØC (1 hole)	0.3	0.012	D	Hex 5/Flat	0.197	E	Hex 5.5/Flat	0.217									
	Dimension	mm	inches																									
A	24.40	0.961																										
ØB	6.65	0.262																										
ØC (1 hole)	0.3	0.012																										
D	Hex 5/Flat	0.197																										
E	Hex 5.5/Flat	0.217																										
C: venting hole																												
	<table border="1"> <thead> <tr> <th>Component</th> <th>Materials</th> <th>Plating (µm)</th> </tr> </thead> <tbody> <tr> <td>Body</td> <td>Berylium copper / Brass</td> <td>NPGR (NIP2 Au0.2) / Ag3</td> </tr> <tr> <td>Locking ground contact</td> <td>Berylium copper</td> <td>NPGR (NIP2 Au0.2)</td> </tr> <tr> <td>Locking cap</td> <td>Berylium copper</td> <td>Ni2</td> </tr> <tr> <td>Center Contact</td> <td>Berylium copper</td> <td>Ni2 Au 1.3 / Ag3</td> </tr> <tr> <td>Insulator (interface)</td> <td>PTFE</td> <td></td> </tr> <tr> <td>Insulator (inner)</td> <td>Peek 90G & 450G</td> <td></td> </tr> <tr> <td>Rear of body</td> <td>Stainless steel</td> <td>Passivated</td> </tr> <tr> <td>EMI gasket</td> <td>Silicone Loaded Ag</td> <td></td> </tr> </tbody> </table>	Component	Materials	Plating (µm)	Body	Berylium copper / Brass	NPGR (NIP2 Au0.2) / Ag3	Locking ground contact	Berylium copper	NPGR (NIP2 Au0.2)	Locking cap	Berylium copper	Ni2	Center Contact	Berylium copper	Ni2 Au 1.3 / Ag3	Insulator (interface)	PTFE		Insulator (inner)	Peek 90G & 450G		Rear of body	Stainless steel	Passivated	EMI gasket	Silicone Loaded Ag	
Component	Materials	Plating (µm)																										
Body	Berylium copper / Brass	NPGR (NIP2 Au0.2) / Ag3																										
Locking ground contact	Berylium copper	NPGR (NIP2 Au0.2)																										
Locking cap	Berylium copper	Ni2																										
Center Contact	Berylium copper	Ni2 Au 1.3 / Ag3																										
Insulator (interface)	PTFE																											
Insulator (inner)	Peek 90G & 450G																											
Rear of body	Stainless steel	Passivated																										
EMI gasket	Silicone Loaded Ag																											
CONNECTOR REFERENCE	DESCRIPTION																											
R232.L80.340	Right angle Female SMP Lock (with venting hole)																											
																												
	<table border="1"> <thead> <tr> <th>Dimension</th> <th>mm</th> <th>inches</th> </tr> </thead> <tbody> <tr> <td>A</td> <td>25.06</td> <td>0.596</td> </tr> <tr> <td>ØB</td> <td>6.65</td> <td>0.262</td> </tr> <tr> <td>ØC (1 hole)</td> <td>0.3</td> <td>0.012</td> </tr> <tr> <td>D</td> <td>Hex 5.5/Flat</td> <td>0.217</td> </tr> <tr> <td>E</td> <td>Hex 5.5/Flat</td> <td>0.217</td> </tr> <tr> <td>F</td> <td>14.95</td> <td>0.589</td> </tr> </tbody> </table>	Dimension	mm	inches	A	25.06	0.596	ØB	6.65	0.262	ØC (1 hole)	0.3	0.012	D	Hex 5.5/Flat	0.217	E	Hex 5.5/Flat	0.217	F	14.95	0.589						
	Dimension	mm	inches																									
A	25.06	0.596																										
ØB	6.65	0.262																										
ØC (1 hole)	0.3	0.012																										
D	Hex 5.5/Flat	0.217																										
E	Hex 5.5/Flat	0.217																										
F	14.95	0.589																										
C: venting hole																												
	<table border="1"> <thead> <tr> <th>Component</th> <th>Materials</th> <th>Plating (µm)</th> </tr> </thead> <tbody> <tr> <td>Body</td> <td>Berylium copper / Brass</td> <td>NPGR (NIP2 Au0.2) / Ag3</td> </tr> <tr> <td>Locking ground contact</td> <td>Berylium copper</td> <td>NPGR (NIP2 Au0.2)</td> </tr> <tr> <td>Locking cap</td> <td>Berylium copper</td> <td>Ni2</td> </tr> <tr> <td>Center Contact</td> <td>Berylium copper</td> <td>Ni2 Au 1.3 / Ag3</td> </tr> <tr> <td>Insulator (interface)</td> <td>PTFE</td> <td></td> </tr> <tr> <td>Insulator (inner)</td> <td>Peek 90G & 450G</td> <td></td> </tr> <tr> <td>Rear of body</td> <td>Stainless steel</td> <td>Passivated</td> </tr> <tr> <td>EMI gasket</td> <td>Silicone Loaded Ag</td> <td></td> </tr> </tbody> </table>	Component	Materials	Plating (µm)	Body	Berylium copper / Brass	NPGR (NIP2 Au0.2) / Ag3	Locking ground contact	Berylium copper	NPGR (NIP2 Au0.2)	Locking cap	Berylium copper	Ni2	Center Contact	Berylium copper	Ni2 Au 1.3 / Ag3	Insulator (interface)	PTFE		Insulator (inner)	Peek 90G & 450G		Rear of body	Stainless steel	Passivated	EMI gasket	Silicone Loaded Ag	
Component	Materials	Plating (µm)																										
Body	Berylium copper / Brass	NPGR (NIP2 Au0.2) / Ag3																										
Locking ground contact	Berylium copper	NPGR (NIP2 Au0.2)																										
Locking cap	Berylium copper	Ni2																										
Center Contact	Berylium copper	Ni2 Au 1.3 / Ag3																										
Insulator (interface)	PTFE																											
Insulator (inner)	Peek 90G & 450G																											
Rear of body	Stainless steel	Passivated																										
EMI gasket	Silicone Loaded Ag																											

2.5.5. SMP Lock connector for SHF.047" cable

CONNECTOR REFERENCE	DESCRIPTION																																				
R232.L20.010	<p>Straight Bulkhead Male SMP Lock</p>  <table border="1" data-bbox="919 517 1471 703"> <thead> <tr> <th>Dimension</th> <th>mm</th> <th>inches</th> </tr> </thead> <tbody> <tr> <td>A</td> <td>17.50</td> <td>0.689</td> </tr> <tr> <td>B / 2 Flats</td> <td>5.50</td> <td>0.217</td> </tr> <tr> <td>ØC</td> <td>6.26</td> <td>0.246</td> </tr> <tr> <td>ØD</td> <td>9.5</td> <td>0.374</td> </tr> <tr> <td>E / 2 Flats</td> <td>3</td> <td>0.118</td> </tr> </tbody> </table> <table border="1" data-bbox="408 840 1441 1032"> <thead> <tr> <th>Component</th> <th>Materials</th> <th>Plating (µm)</th> </tr> </thead> <tbody> <tr> <td>Body</td> <td>Brass</td> <td>N2PGR</td> </tr> <tr> <td>Center Contact</td> <td>Beryllium copper</td> <td>Ni2 Au1.3</td> </tr> <tr> <td>Insulator (interface)</td> <td>Peek 90G</td> <td></td> </tr> <tr> <td>Insulator (inner)</td> <td>Peek 90G/ PTFE</td> <td></td> </tr> <tr> <td>EMI gasket</td> <td>Silicone Loaded Cu/Ag</td> <td></td> </tr> </tbody> </table>	Dimension	mm	inches	A	17.50	0.689	B / 2 Flats	5.50	0.217	ØC	6.26	0.246	ØD	9.5	0.374	E / 2 Flats	3	0.118	Component	Materials	Plating (µm)	Body	Brass	N2PGR	Center Contact	Beryllium copper	Ni2 Au1.3	Insulator (interface)	Peek 90G		Insulator (inner)	Peek 90G/ PTFE		EMI gasket	Silicone Loaded Cu/Ag	
Dimension	mm	inches																																			
A	17.50	0.689																																			
B / 2 Flats	5.50	0.217																																			
ØC	6.26	0.246																																			
ØD	9.5	0.374																																			
E / 2 Flats	3	0.118																																			
Component	Materials	Plating (µm)																																			
Body	Brass	N2PGR																																			
Center Contact	Beryllium copper	Ni2 Au1.3																																			
Insulator (interface)	Peek 90G																																				
Insulator (inner)	Peek 90G/ PTFE																																				
EMI gasket	Silicone Loaded Cu/Ag																																				

2.6. Interchangeability for SMP - SMP Lock serie

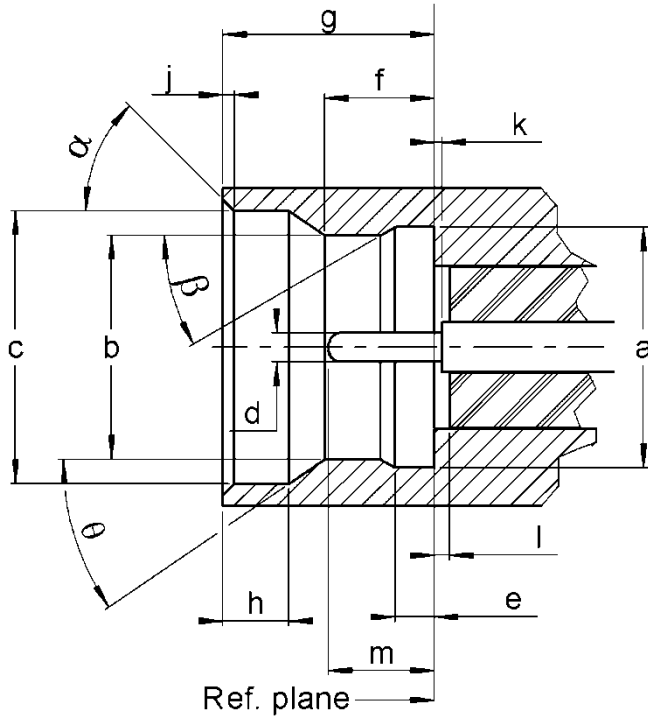
2.6.1. SMP - SMP Lock Female DC-40GHz: MIL-STD 348a, NOTICE 6, FIGURE 326-1



	MIL-STD-348A				Comments
	Inch (original)		mm		
	mini.	maxi.	mini.	maxi.	
a	-	0,135	-	3,43	Dia, opened slots
d	-	-	-	-	Dia, Accept 0,015 +/- 0,001 (inch) dia pin
e	0,018	0,025	0,46	0,64	Uncabled connector
g	0,112	-	2,84	-	
k	0,000	0,008	0,00	0,20	Contact recession
l	0,000	-	0,00	-	Dielectric recession
m	0,070	-	1,78	-	

2.6.2. SMP - SMP Lock male DC-40GHz: MIL-STD 348a, NOTICE 6, FIGURE 326-1

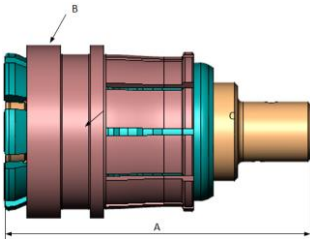
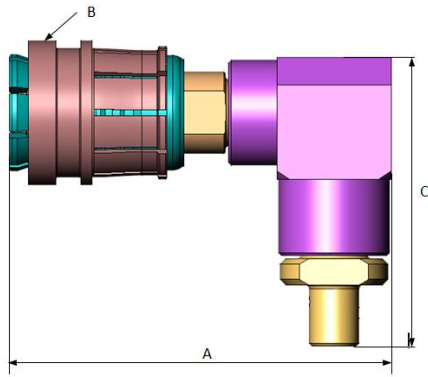
MALE INTERFACE, LIMITED DETENT : MIL-STD 348a, NOTICE 5, FIGURE 326-3



	MIL-STD-348A				Comments
	Inch (original)		mm		
	mini.	maxi.	mini.	maxi.	
a	0,124	0,126	3,15	3,20	dia
b	0,118	0,122	3,00	3,10	dia, Limited Detent
c	0,139	0,145	3,53	3,68	dia
d	0,014	0,016	0,36	0,41	dia
e	0,0205	0,0235	0,52	0,60	
f	0,054	0,060	1,37	1,52	Limited Detent
g	0,108	0,112	2,74	2,84	Limited Detent
h	0,033	0,037	0,84	0,94	
j	0,003	0,008	0,08	0,20	
k	-	-	0,00	0,14	Contact recession
l	-	-	0,00	-	Dielectric recession
m	0,045	0,055	1,14	1,40	
α	40	50	-	-	Degree (REF)
β	30 REF.		-	-	Degree
θ	35 REF.		-	-	Degree (REF)

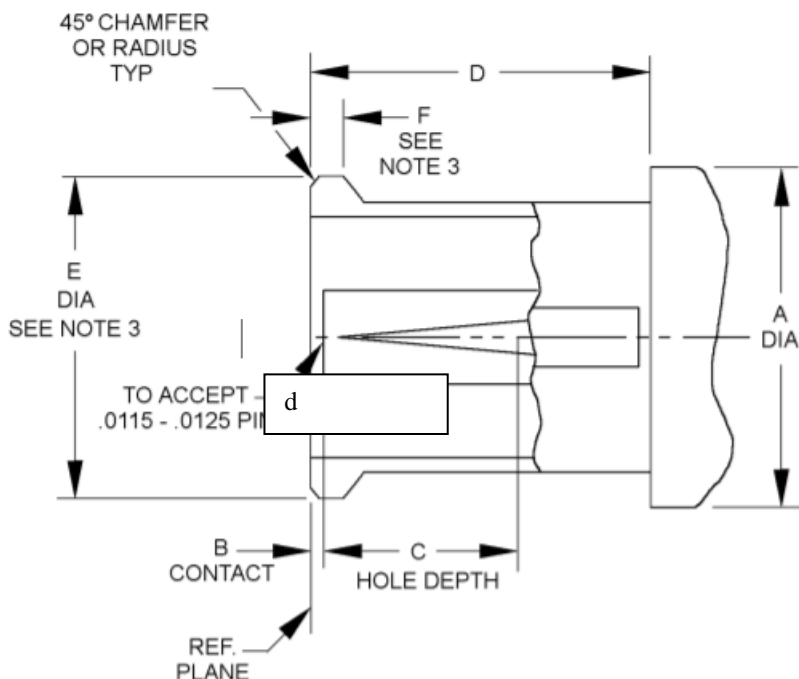
2.7. SMPM Lock Connector Interface Control Drawing

2.7.1. SMPM Lock connector for SHF.047" cable

CONNECTOR REFERENCE	DESCRIPTION																																				
R231.L80.000	<p><u>Straight and Elbow Female SMP</u></p>  <table border="1" data-bbox="858 645 1412 741"> <thead> <tr> <th>Dimension</th> <th>mm</th> <th>inches</th> </tr> </thead> <tbody> <tr> <td>A</td> <td>9.38</td> <td>0.369</td> </tr> <tr> <td>ØB</td> <td>5.20</td> <td>0.205</td> </tr> </tbody> </table> <table border="1" data-bbox="419 869 1452 1128"> <thead> <tr> <th>Component</th> <th>Materials</th> <th>Plating (µm)</th> </tr> </thead> <tbody> <tr> <td>Body</td> <td>Beryllium copper</td> <td>N2PGR</td> </tr> <tr> <td>Center Contact</td> <td>Beryllium copper</td> <td>Ni2 Au1.3</td> </tr> <tr> <td>Locking ground contact</td> <td>Beryllium copper</td> <td>NPGR (NIP2 Au0.2)</td> </tr> <tr> <td>Locking cap</td> <td>Brass</td> <td>Ni2</td> </tr> <tr> <td>Insulator (interface)</td> <td>Peek 90G</td> <td></td> </tr> <tr> <td>Insulator (inner)</td> <td>PTFE</td> <td></td> </tr> <tr> <td>EMI gasket</td> <td>Silicone Loaded Ag</td> <td></td> </tr> </tbody> </table>	Dimension	mm	inches	A	9.38	0.369	ØB	5.20	0.205	Component	Materials	Plating (µm)	Body	Beryllium copper	N2PGR	Center Contact	Beryllium copper	Ni2 Au1.3	Locking ground contact	Beryllium copper	NPGR (NIP2 Au0.2)	Locking cap	Brass	Ni2	Insulator (interface)	Peek 90G		Insulator (inner)	PTFE		EMI gasket	Silicone Loaded Ag				
	Dimension	mm	inches																																		
A	9.38	0.369																																			
ØB	5.20	0.205																																			
Component	Materials	Plating (µm)																																			
Body	Beryllium copper	N2PGR																																			
Center Contact	Beryllium copper	Ni2 Au1.3																																			
Locking ground contact	Beryllium copper	NPGR (NIP2 Au0.2)																																			
Locking cap	Brass	Ni2																																			
Insulator (interface)	Peek 90G																																				
Insulator (inner)	PTFE																																				
EMI gasket	Silicone Loaded Ag																																				
R232.162.100	<p><u>Right angle Female SMP</u></p>  <table border="1" data-bbox="876 1388 1430 1514"> <thead> <tr> <th>Dimension</th> <th>mm</th> <th>inches</th> </tr> </thead> <tbody> <tr> <td>A</td> <td>13.74</td> <td>0.541</td> </tr> <tr> <td>ØB</td> <td>5.20</td> <td>0.205</td> </tr> <tr> <td>C</td> <td>10.40</td> <td>0.409</td> </tr> </tbody> </table> <table border="1" data-bbox="406 1753 1441 2013"> <thead> <tr> <th>Component</th> <th>Materials</th> <th>Plating (µm)</th> </tr> </thead> <tbody> <tr> <td>Body</td> <td>Beryllium copper</td> <td>N2PGR</td> </tr> <tr> <td>Center Contact</td> <td>Beryllium copper</td> <td>Ni2 Au1.3</td> </tr> <tr> <td>Locking ground contact</td> <td>Beryllium copper</td> <td>NPGR (NIP2 Au0.2)</td> </tr> <tr> <td>Locking cap</td> <td>Brass</td> <td>Ni2</td> </tr> <tr> <td>Insulator (interface)</td> <td>Peek 90G</td> <td></td> </tr> <tr> <td>Insulator (inner)</td> <td>PTFE</td> <td></td> </tr> <tr> <td>EMI gasket</td> <td>Silicone Loaded Ag</td> <td></td> </tr> </tbody> </table>	Dimension	mm	inches	A	13.74	0.541	ØB	5.20	0.205	C	10.40	0.409	Component	Materials	Plating (µm)	Body	Beryllium copper	N2PGR	Center Contact	Beryllium copper	Ni2 Au1.3	Locking ground contact	Beryllium copper	NPGR (NIP2 Au0.2)	Locking cap	Brass	Ni2	Insulator (interface)	Peek 90G		Insulator (inner)	PTFE		EMI gasket	Silicone Loaded Ag	
	Dimension	mm	inches																																		
A	13.74	0.541																																			
ØB	5.20	0.205																																			
C	10.40	0.409																																			
Component	Materials	Plating (µm)																																			
Body	Beryllium copper	N2PGR																																			
Center Contact	Beryllium copper	Ni2 Au1.3																																			
Locking ground contact	Beryllium copper	NPGR (NIP2 Au0.2)																																			
Locking cap	Brass	Ni2																																			
Insulator (interface)	Peek 90G																																				
Insulator (inner)	PTFE																																				
EMI gasket	Silicone Loaded Ag																																				

2.8. Interchangeability for SMP - SMP Lock serie

2.8.1. *SMPM Lock Female DC-40GHz: MIL-STD 348a, NOTICE 6, FIGURE 328-1*
 FEMALE INTERFACE : MIL-STD 348B, FIGURE 328-1



	MIL-STD-348A				Comments
	Inch (original)		mm		
	mini.	maxi.	mini.	maxi.	
A	-	0,110	-	2,79	Dia
B	0,000	0,008	0,00	0,20	Contact recession
C	0,050	-	1,27	-	
D	0,072	-	1,83	-	
E	-	0,095	-	2,41	Dia, opened slots
F	-	0,023	-	0,58	
d	-	-	-	-	Dia, Accept 0,29mm to 0,32mm